

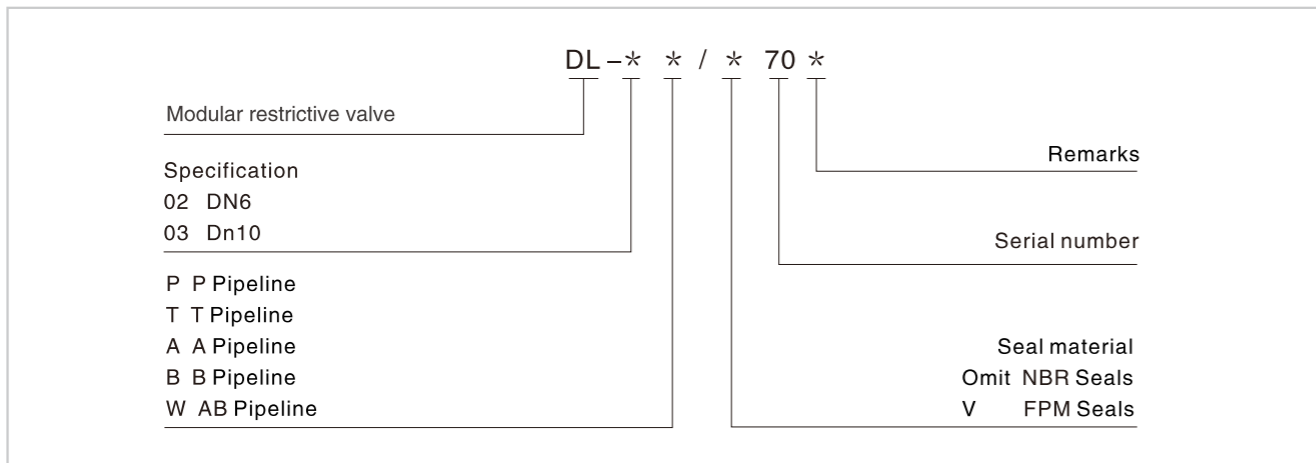
Modular Restrictive Valve

Technical specification

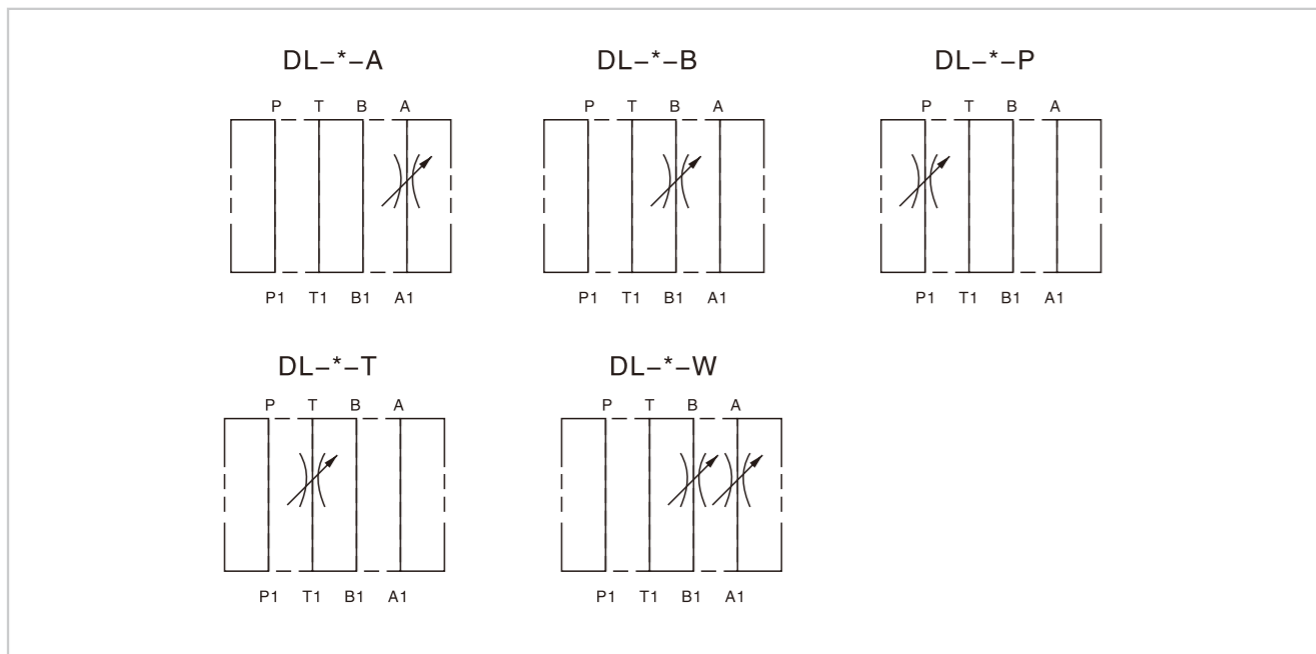


Specification	02	03
Max.pressure (MPa)	31.5	
Max.flow (L/min)	30	50
Hydraulic fluid	Mineral oil;phosphate-ester	
Fluid temp (°C)	-20~70	
Viscosity (mm ² /s)	2.8~380	
Cleanliness	The maximum allowable cleanliness of the oil should be according to 9th degree of Standard NAS1638.It is suggested that the minimum filter rating should be β 10≥75.	

Model instruction



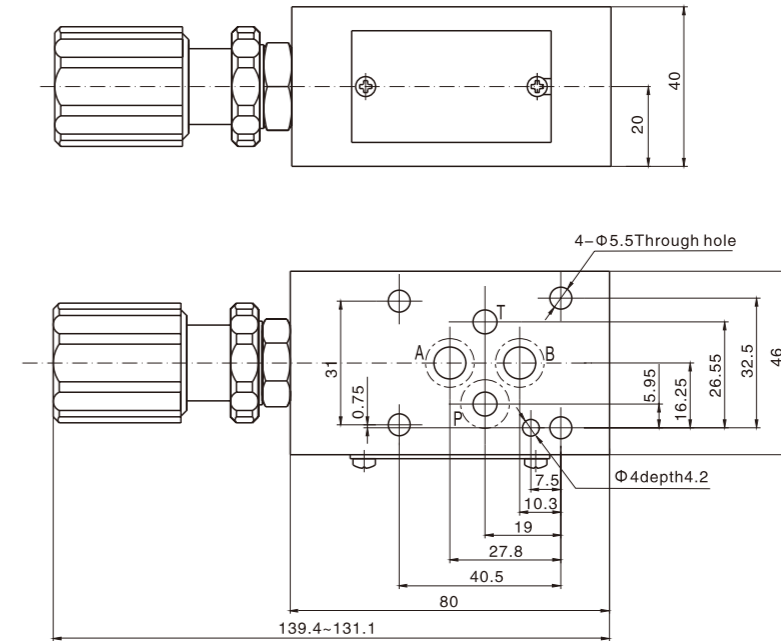
Code symbol



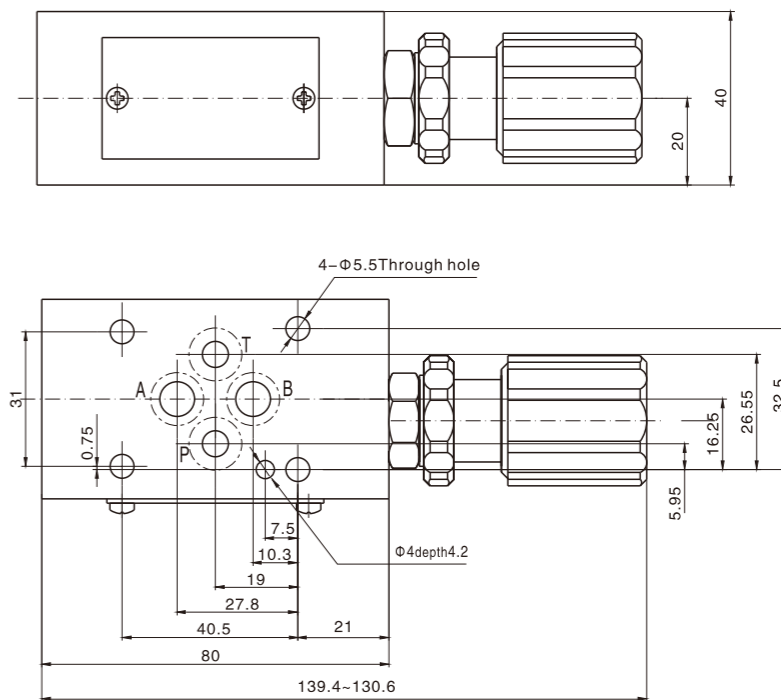
Modular Restrictive Valve

External dimensions

DL-02-A/ ...



DL-02-P,B,T/ ...

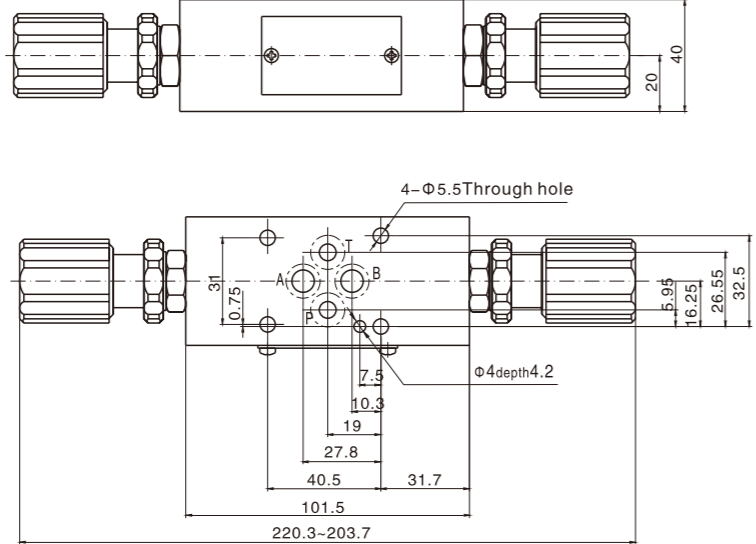


Notice: The surface, connecting with the valve, should be Ra0.8 roughness, and 0.01/100mm flatness.

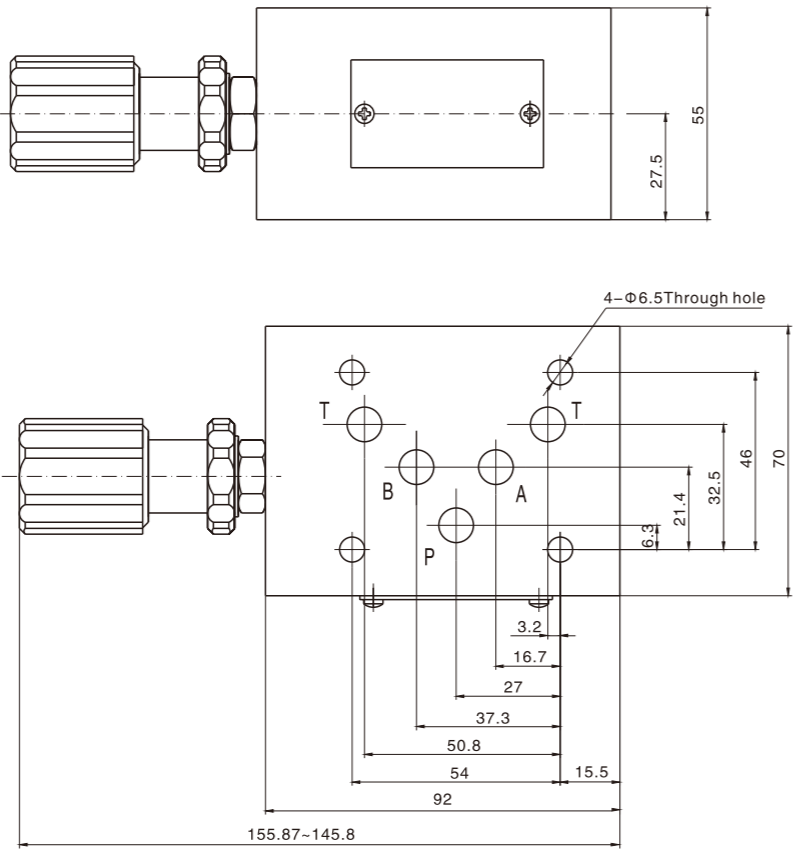
Modular Restrictive Valve

External dimensions

DL-02-W/ ...



DL-03-A/ ...

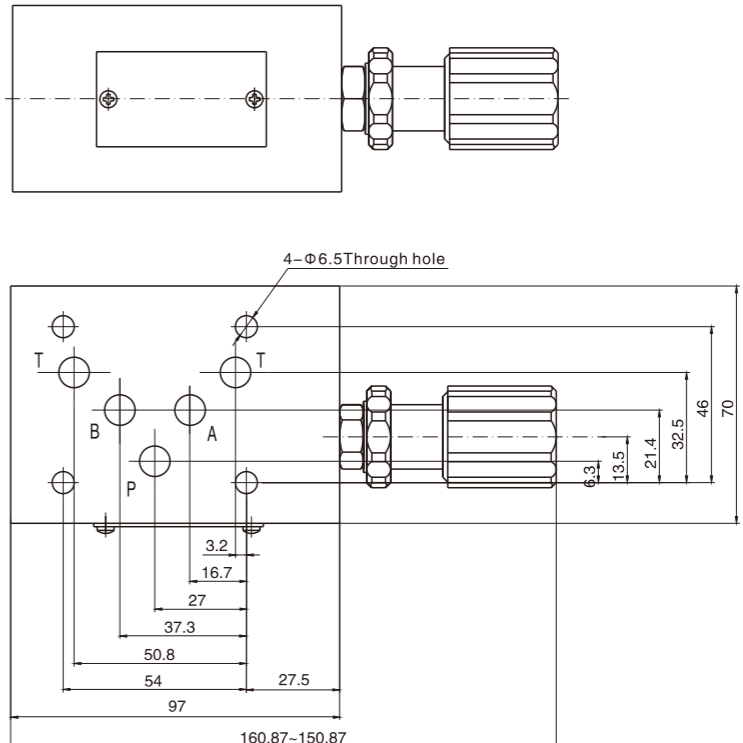


Notice: The surface, connecting with the valve, should be Ra0.8 roughness, and 0.01/100mm flatness.

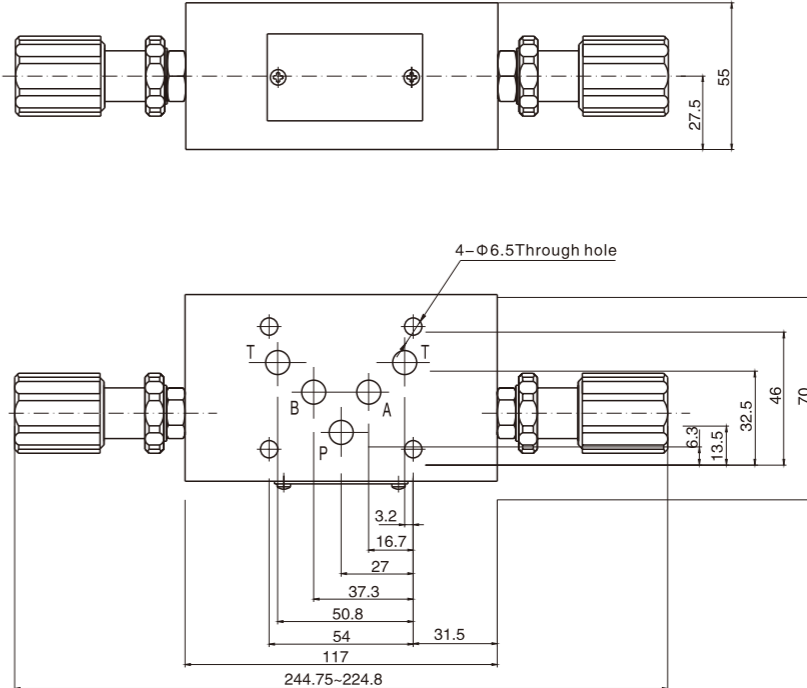
Modular Restrictive Valve

External dimensions

DL-03-P,B,T/ ...



DL-03-W/ ...



Notice: The surface, connecting with the valve, should be Ra0.8 roughness, and 0.01/100mm flatness.