

# Proportional Electro-hydraulic Control P-Q Valve ( BYLZ )

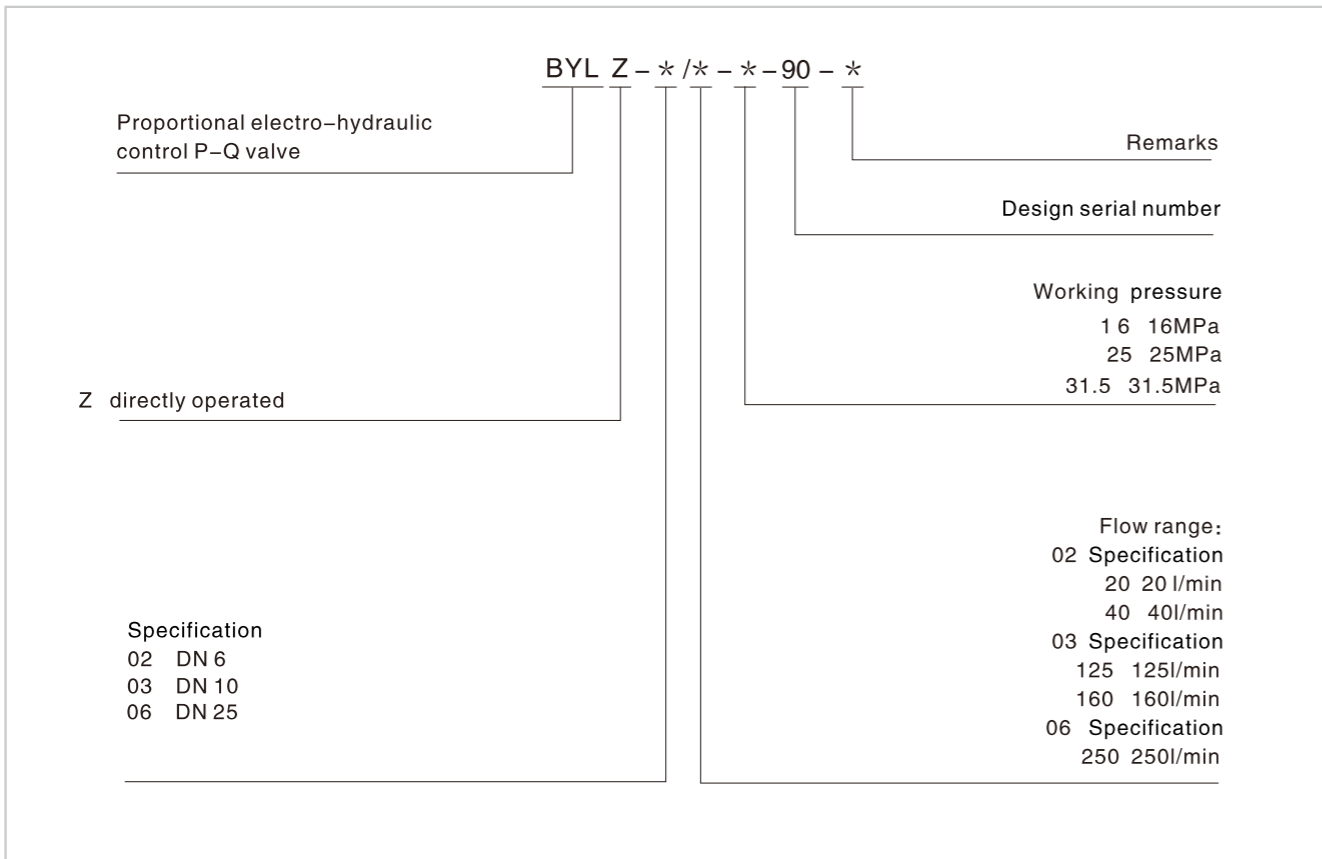
## Technical specification



Model	BYLZ-02-*-*	BYLZ-03-*-*	BYLZ-06-250-*	
Maximum pressure (MPa)	31.5			
Maximum flow (l/min)	40	160	250	
Flow range (l/min)	1-40	2-160	3-250	
Pressure control	Rated current (mA)	800		
	Coil resistance (Ω)	19.5	43.5	43.5
	P Differential(MPa)	0.6	0.6	0.7
	Hysteresis (%)	< 5	< 7	< 7
	Repeatability (%)	< 1		
Flow control	Pressure Range (Mpa)	16:1.5-16 25:1.5-25 31.5:1.5-31.5	16:1.5-16 25:1.5-25 31.5:1.5-31.5	16:1.5-16 25:1.5-25 31.5:1.5-31.5
	Rated current (mA)	800		
	Coil resistance (Ω)	10	10	10
	Hysteresis (%)	< 3		
	Repeatability (%)	< 1		
Cleanliness	Filter is recommended for the highest fluid pollution degree;the lowest specific filtration resistance according to ISO 4406 (C) 20/18/15.			

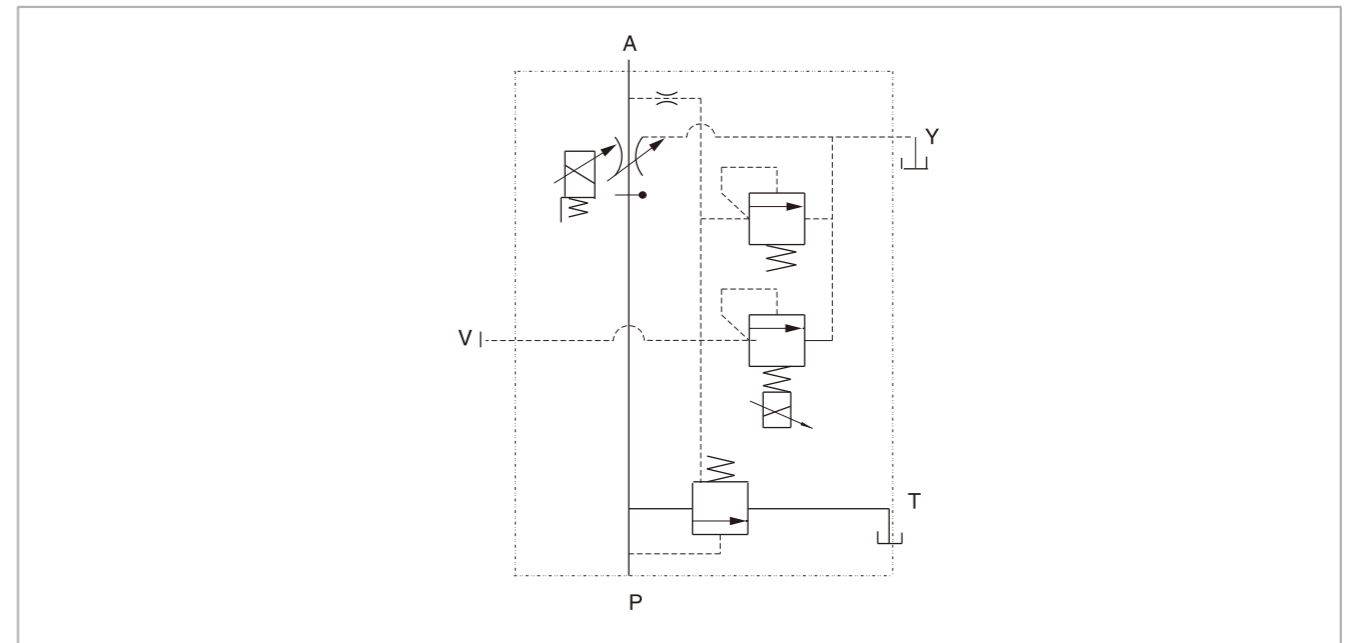
This proportional valve adopts two electrical loops to control pressure and flow of hydraulic system respectively. Using very small pressure drop to track load pressure and control the pump pressure, it is an energy-saving valve.

## Model instruction

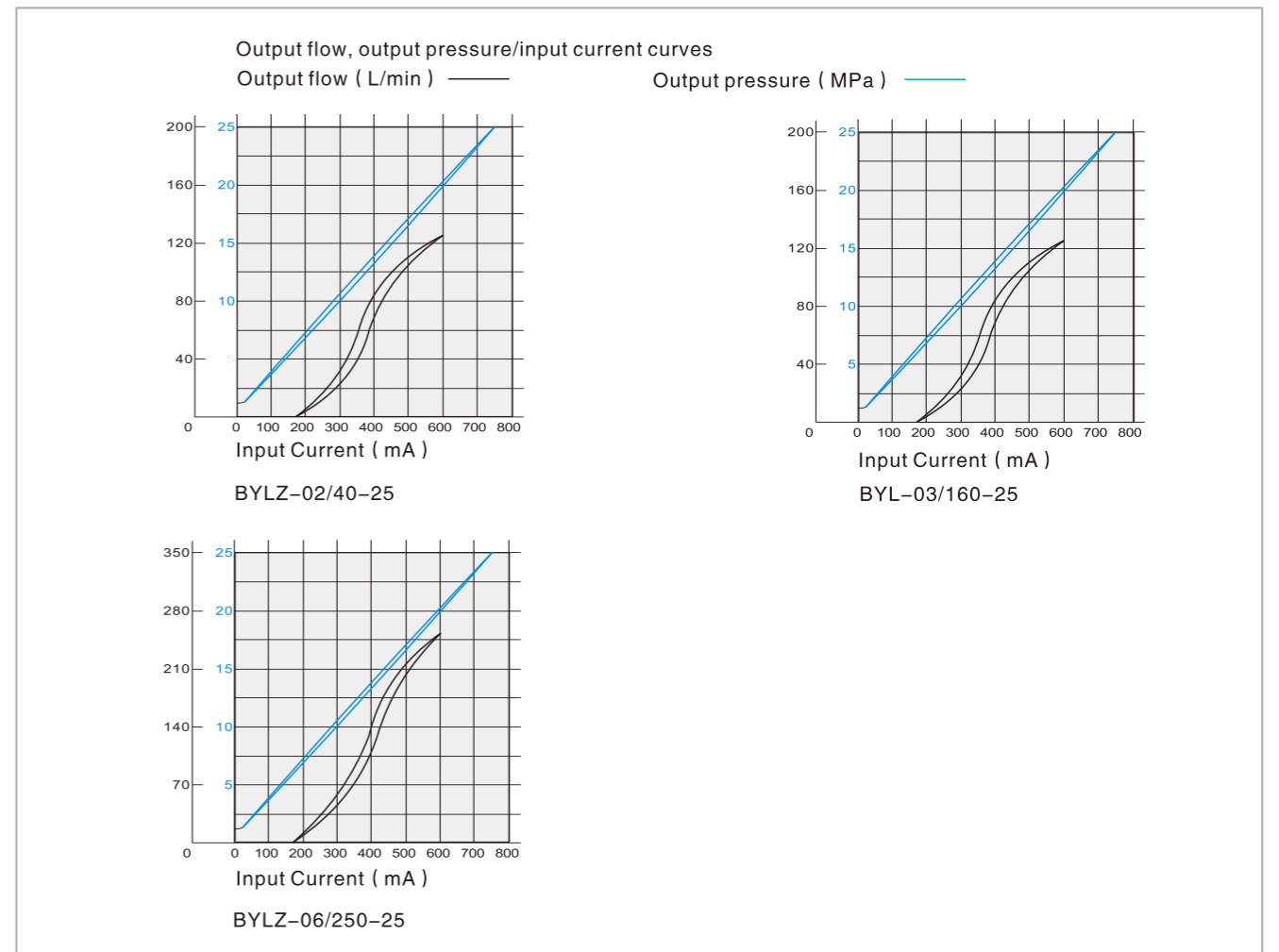


# Proportional Electro-hydraulic Control P-Q Valve ( BYLZ )

## Code symbol

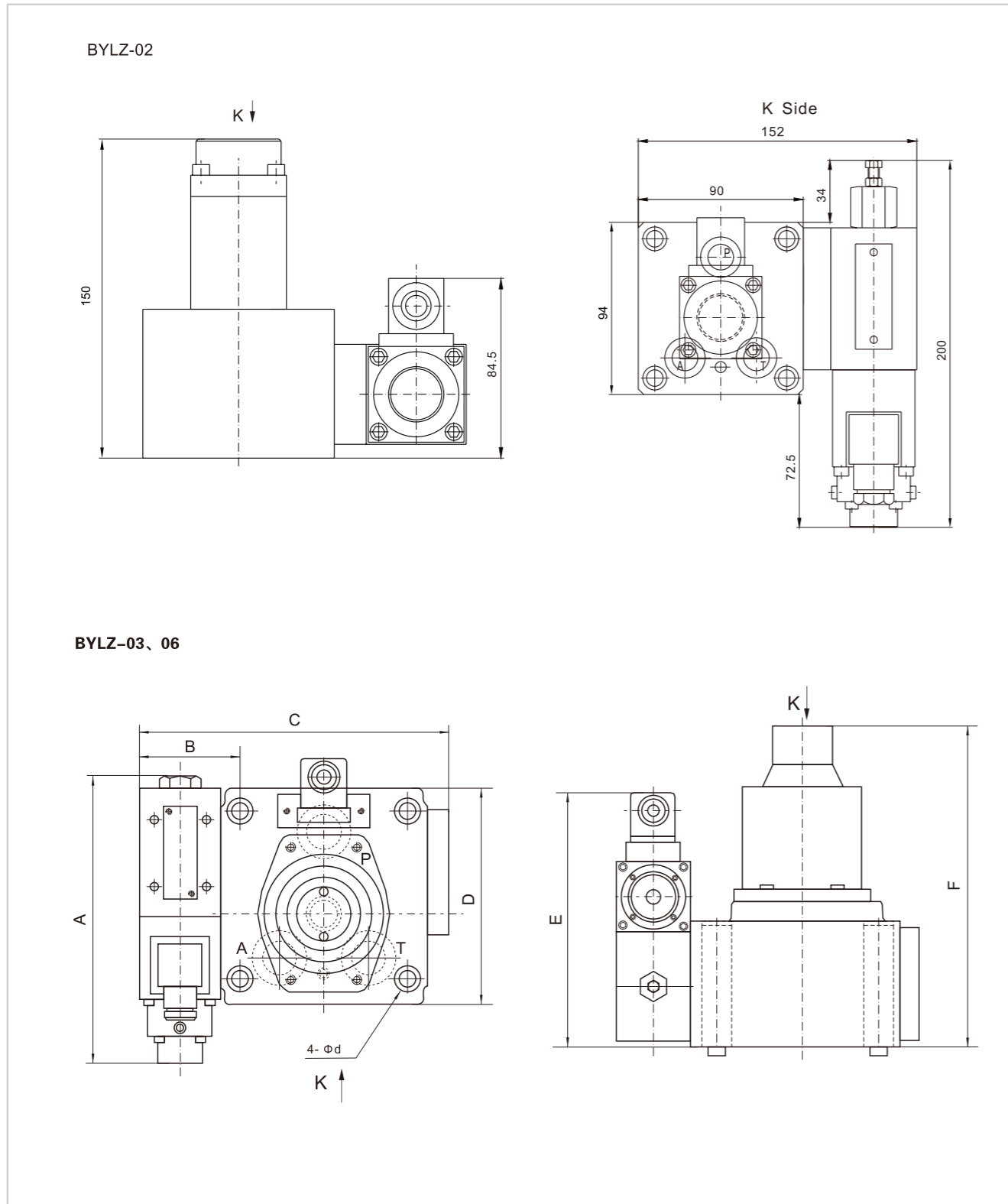


## 02, 03, 06 Characteristic curves (Measured at $v=36 \times 10^{-6} \text{m}^2/\text{S}$ $t=50^\circ\text{C}$ )



### Proportional Electro-hydraulic Control P-Q Valve ( BYLZ )

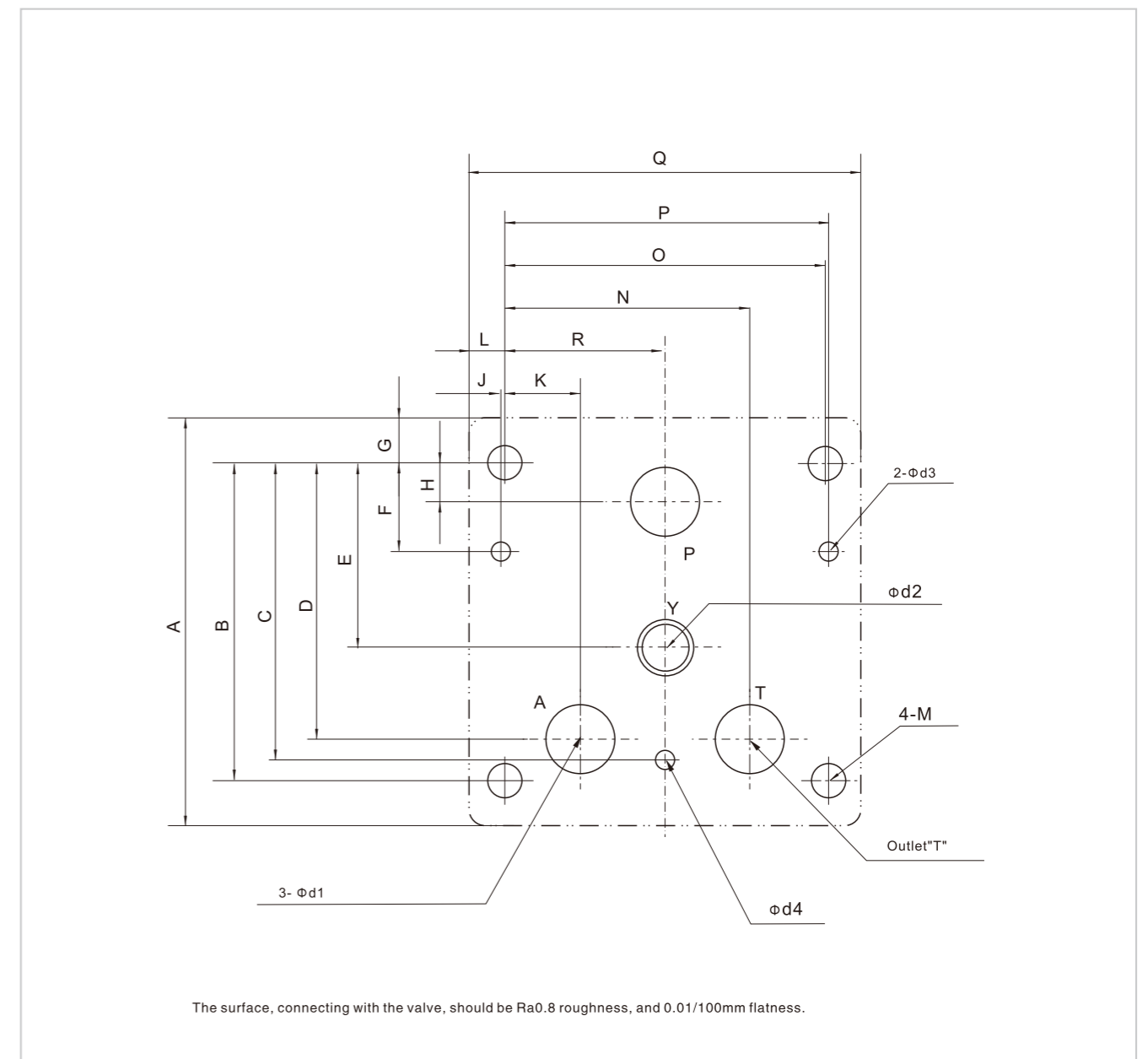
#### External dimensions



Model	A	B	C	D	E	F	d
BYLZ-03	171	61.7	188	130	171	216	11
BYLZ-06	171	67	247	174	199.5	248	17.5

### Proportional Electro-hydraulic Control P-Q Valve ( BYLZ )

#### Plate size



The surface, connecting with the valve, should be Ra0.8 roughness, and 0.01/100mm flatness.

Model	A	B	C	D	E	F	G	H	J	K	L	R	N	O	P	Q	M	d <sub>1</sub>	d <sub>2</sub>	d <sub>3</sub>	d <sub>4</sub>
BYLZ-02	84	76	70	65	43	21.5	9	10	1	16.5	9	36	55.5	72	73	90	M8/14	14	10	7×7L	6
BYLZ-03	130	101.6	95.3	88.9	59	28.6	14.2	12.7	0.8	23.8	11.7	50.8	77.8	101.6	102.4	124	M10/19	23	11	7×7L	6
BYLZ-06	174	133.4	133.4	107	82.2	41.3	24	12.7	1.6	28.1	17	73.1	118.1	146.1	144.5	180	M16/30	29	14	17×10L	6.2

#### Note in use

- Discharge back press ≤ 0.2MPa  
Return back press ≤ 0.5MPa
- Minimum stable flow under controlled pressure  
Nominal size 03, 06 ≥ 10 l/min  
Nominal size 10 ≥ 15 l/min
- Vent hole orientation can be adjusted freely: Put it upward to vent off the air from the piping.