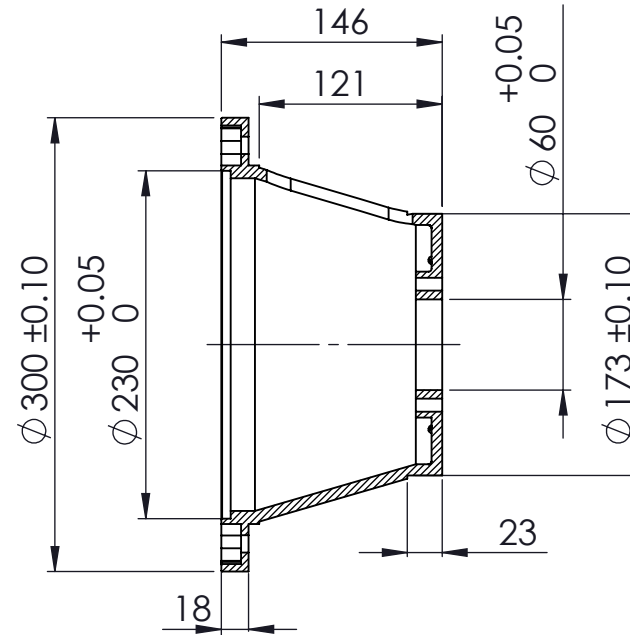
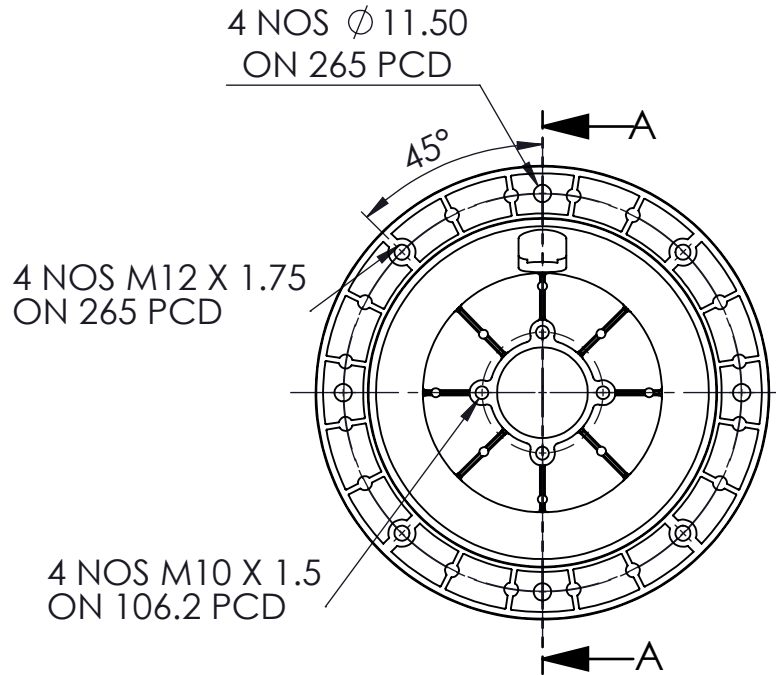
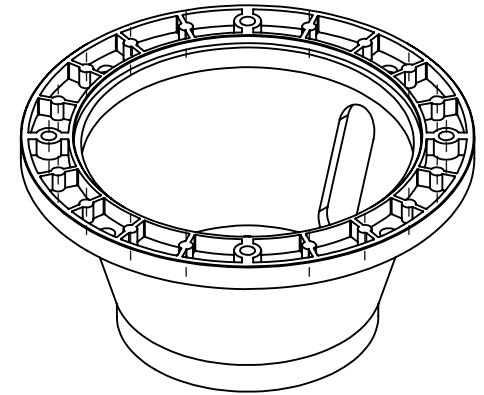


10HP-PISTON PUMP ID 60MM BELL HOUSING

THIS DRAWING IS THE SOLE PROPERTY OF VBC HYDRAULICS
UNAUTHORISED USE OF THIS DRAWING OR MAKING PRODUCT AS PER OUR
DRAWING WITHOUT OUR PERMISSION OR ANY OTHER MISUSE IS NOT PERMITTED



SECTION A-A

NOTE:- ALL DIMENSIONS ARE IN MM.										SCALE:- N.T.S.						
UNSPECIFIED TOLERANCES																
OPEN TOLERANCE IN LENGTH AS PER IS:2102 MED. PART-1, 1993																
OPEN TOLERANCE IN DIAMETER					OPEN TOLERANCE IN LENGTH											
NOM. DIA.	0-30	30-60	60-150	ABOVE 150	FROM TO	0-6	6-30	30-120	120-313	313-1000						
BORE	+0.1	+0.15	+0.2	+0.3	TOL.	0.1	0.2	0.3	0.5	0.8						
SHAFT	-0.1	-0.15	-0.2	-0.3												
SURFACE FINISH IN MICRONS SHOWN																
SYMBOL	\sim	∇	$\nabla\nabla$	$\nabla\nabla\nabla$	$\nabla\nabla\nabla\nabla$											
Ra μ m	50	25	12.5	6.3	3.2	1.6	0.8	0.4	0.2	0.1	0.05	0.025				
GRADE	∇ 12	∇ 11	∇ 10	∇ 9	∇ 8	∇ 7	∇ 6	∇ 5	∇ 4	∇ 3	∇ 2	∇ 1				

CUST. NAME :-

CUST.PART NO.:-

PUMP TYPE:-

PART NAME :- 10HP-PISTON PUMP ID60MM
BELL HOUSING

DRG SHEET NO:- 1 OF 1

DRAWING NO :-

REFERENCE NO:-

ISSUE DATE:- 10/07/2014

DRG BY:- PUSHPAK

CHKD BY:- ATUL

REV.	DATE	DESCRIPTION	APRD BY

PAMA HYDRO PARTS(p) LTD.
AHMEDABAD

