

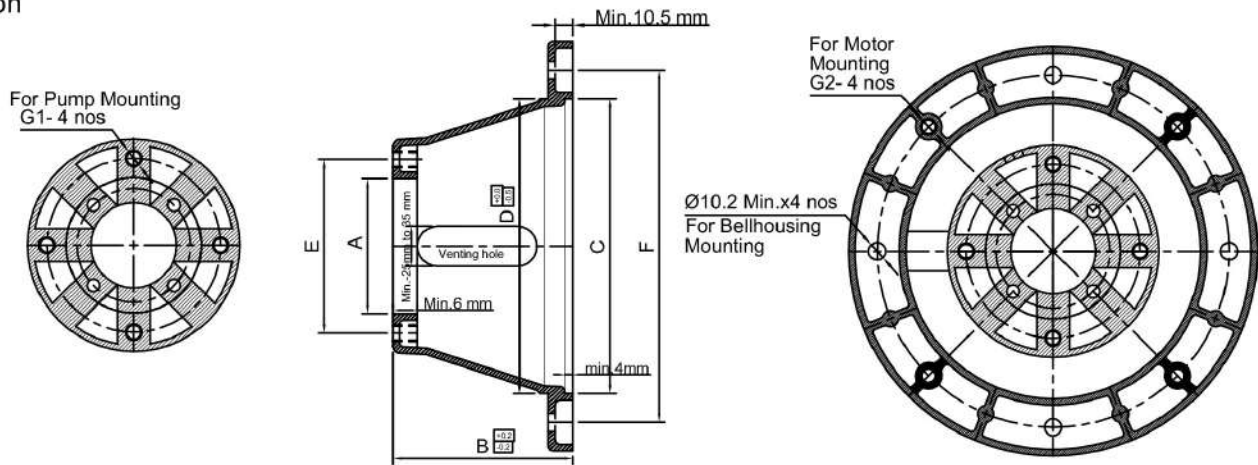


Product Characteristics

- By using bell housings motor and pump shaft are aligned to each other optimally
- Material aluminium low weight with sufficient strength
- Horizontal assembly possible with foot cum flange motor
- Bell housing material high graded aluminium pressure die cast
- Jacktech GJM series aluminium bell housing are precisely machined to reduce misalignment of coupled shafts
- Aluminium bell housing also reduces the noise generation considerably
- Aluminium bell housing size available as per factory stock



Section



Dimensional Details & Ordering information

FRAME SIZE	MOTOR H.P.	Code / ØA	Length - B	C	D	E	F	G1	G2
71	0.5	0P,1P,1T	75	110	114	106.2	130	M10	M8
80	0.75,1	0P,1P,1T	80	130	140	106.2	165	M10	M10
80 90S , 90L	0.75 , 1 1.5 , 2	0P,1P,1T	100,106,130	130	140,130	106.2	165	M10	M10
		1R	130	130	140	80	165	Ø9	M10
		80 MM	106	130	130	101.6-102	165	M8	M10
100L , 112M	3 , 5	0P,1P,1T	110,124	180	180	106.2	215	M10	M12
		1R	124	180	180	80	215	Ø9	M12
		80MM	124	180	180	101.6-102	215	M8	M12
		2P,PVR-50	110,124	180	190	145.9	215	M12	M12
		95 MM	124	180	190	127.3	215	M10	M12
132S , 132M	7.5 , 10	0P,1P,1T	145	230	230	106.2	265	M10	M12
		1R	145	230	230	80	265	Ø9	M12
		80MM	145	230	230	101.6-102	265	M8	M12
		2P,PVR-50	145	230	230	145.9	265	M12	M12
		100 MM	145	230	230	140	265	M12	M12
160M , 160L 180M , 180L	12.5 , 15 , 20 25 , 30	0P,1P,1T	190,206	250	255	106.2	300	M10	M16
		1R	190,206	250	255	80	300	Ø9	M16
		11R,12R	190,206	250	255	92	300	Ø11	M16
		80MM	190,206	250	255	101.6-102	300	M8	M16
		2P,PVR-50	190,206	250	255	145.9	300	M12	M16
		100 MM	190,206	250	255	140	300	M12	M16
		3P,PVR-150	190,206	250	255	180.8	300	M16	M16
		125 MM	190,206	250	255	180.8	300	M16	M16
Extension Bracket	EB - 1RE	0P,1P,1T	87,92	101.6	**	106.2	156	M10	Ø11
		2P,PVR-50	90,100	101.6	**	145.9	156	M12	Ø11

Note: *This bell housing dimension as per jacktech gear coupling & jacktech standard

* Bell housing kits with Bore key ways coupling & all mounting bolt also available

HI-TECH HYDRAULICS

K-18 Sonal Industrial Estate,
Link Road, Kachpada, Malad West,
Mumbai - 400064, INDIA.

Phone : +91 - 22 - 2882 2878
E-mail : sales@hitechhyd.com
Website : www.hitechhyd.com



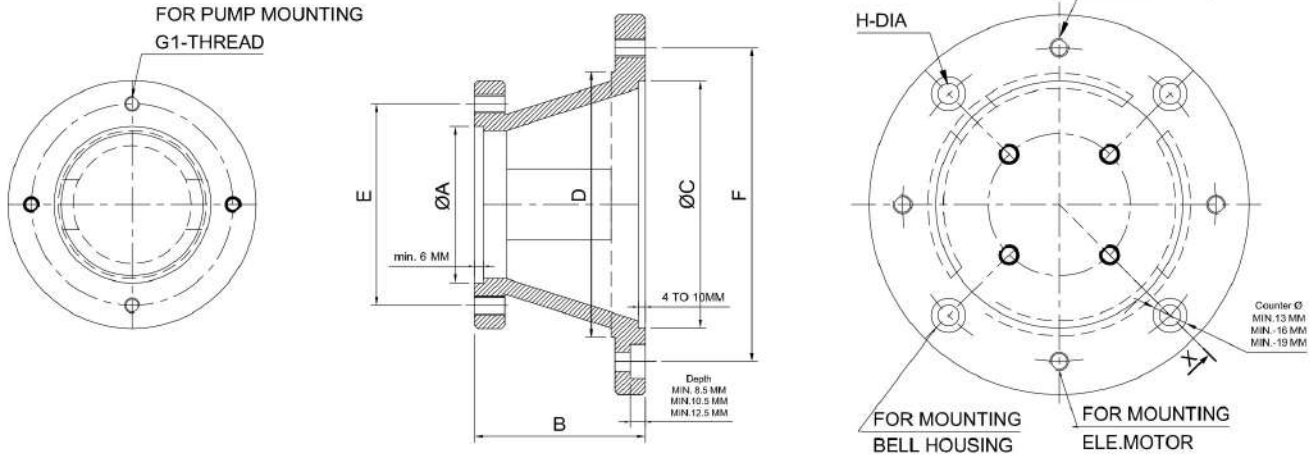
BELL HOUSING (Casting)

Product Characteristics

- By using bell housings motor and pump shaft are aligned to each other optimally
- Horizontal assembly possible with foot cum flange motor
- Bell housing material high graded cast iron
- Jacktech bell housing are precisely machined to reduce misalignment of couple shafts.
- Casting bell housing also reduces the noise generation considerably
- Casting bell housing size available as per factory stock



Section



Dimensional Details

FRAME SIZE	MOTOR H.P.	CODE / ØA	LENGTH -B	C	D	E	F	G1	G2	H +0.5
63	0.25	0P,1P	70	95	99	106.2	115	M10	M8	8.5
71	0.5	0P,1P	75	110	115	106.2	130	M10	M8	8.5
80	0.75 , 1	0P,1P	80	130	140	106.2	165	M10	M10	10.5
80 90S / 90L	0.75 , 1 1.5 , 2	0P,1P,1T	100/106	130	140	106.2	165	M10	M10	10.5
		1R	114/130	130	140	80	165	Ø9	M10	10.5
		80 MM	106/121	130	140	102	165	M8	M10	10.5
		95 MM	100	130	140	127.3	165	M10	M10	10.5
		2P,PVR-50	100/122	130	140	145.9	165	M12	M10	10.5
		3P,PVR-150	130	130	140	180.8	165	M16	M10	10.5
100L / 112M	3 , 5	0P,1P,1T	110,122,145	180	180	106.2	215	M10	M12	10.5
		1R	122,145	180	180	80	215	Ø9	M12	10.5
		11R,12R	145	180	180	92	215	Ø11	M12	10.5
		2P,PVR-50	110,124,145	180	180	145.9	215	M12	M12	10.5
		3P,PVR-150	145	180	180	180.8	215	M16	M12	10.5
		80 MM	111,122	180	180	102	215	M8	M12	10.5
		95 MM	122	180	180	127.3	215	M10	M12	10.5
		100 MM	124,145	180	180	140	215	M12	M12	10.5
		GR-25,32,40	145,165	180	180	190	215	M12	M12	10.5

Note: * This bell housing dimension as per jacktech gear coupling & jacktech standard
 * Bell housing kits with Bore key ways coupling & all mounting bolt also available
 * As per your required pump mounting detail bell housing also available.



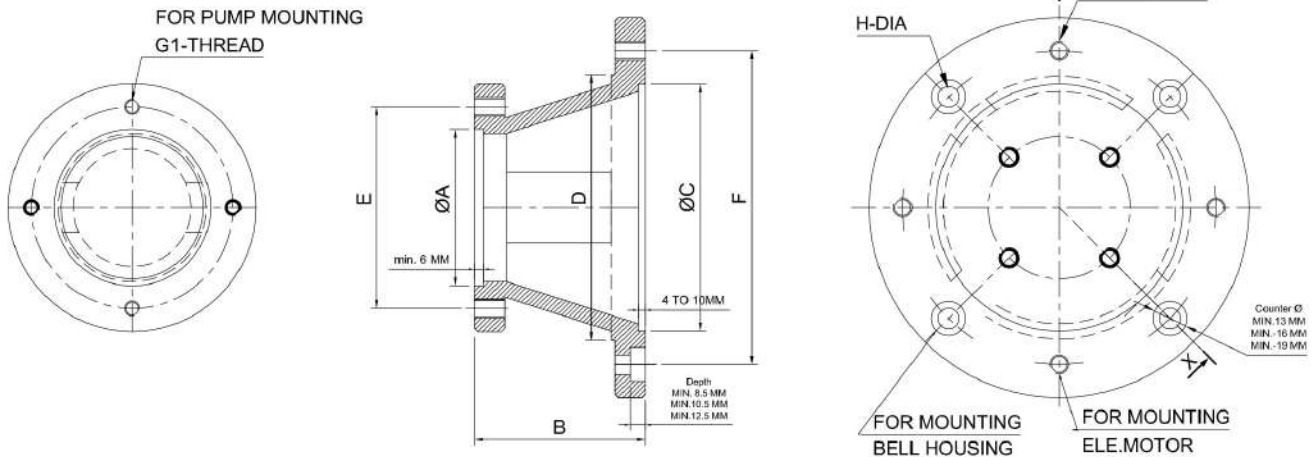
BELL HOUSING (Casting)

Product Characteristics

- By using bell housings motor and pump shaft are aligned to each other optimally
- Horizontal assembly possible with foot cum flange motor
- Bell housing material high graded cast iron
- Jacktech bell housing are precisely machined to reduce misalignment of couple shafts.
- Casting bell housing also reduces the noise generation considerably
- Casting bell housing size available as per factory stock



Section



Dimensional Details

FRAME SIZE	MOTOR H.P.	CODE / ØA	LENGTH -B	C	D	E	F	G1	G2	H +0.5
132S , 132M	7.5 , 10	0P,1P,1T	145,170	230	230	106.2	265	M10	M12	10.5
		1R	145,170	230	230	80	265	Ø9	M12	10.5
		11R,12R	170	230	230	92	265	Ø11	M12	10.5
		2P,PVR-50	145,160,170	230	230	145.9	265	M12	M12	10.5
		3P,PVR-150	170	230	230	180.8	265	M16	M12	10.5
		80 MM	145	230	230	102	265	M8	M12	10.5
		95 MM	145	230	230	127.3	265	M10	M12	10.5
		100 MM	145,170	230	230	140	265	M12	M12	10.5
		125 MM	170	230	230	180.8	265	M16	M12	10.5
		GR-25,32,40	170	230	230	190	265	M12	M12	10.5
GR-45 TO 70	205	230	230	260	265	M16	M12	10.5		
160M , 160L 180M , 180L	12.5,15,20	0P,1P,1T	175,200	250	250	106.2	300	M10	M16	10.5
		1R	180,200	250	250	80	300	Ø9	M16	10.5
		11R,12R	180,200	250	250	92	300	Ø11	M16	10.5
		2P,PVR-50	175,180,200	250	250	145.9	300	M12	M16	10.5
		3P,PVR-150	175,188,200	250	250	180.8	300	M16	M16	10.5
	25,30	100 MM	175,180,200	250	250	140	300	M12	M16	10.5
		125 MM	175,188,200	250	250	180.8	300	M16	M16	10.5
		135 MM	212	250	250	160	300	M12	M16	10.5
		160 MM	210	250	250	200	300	M16	M16	10.5
		GR-25,32,40	200	250	250	190	300	M12	M16	10.5
GR-45 TO 70	205	250	250	260	300	M16	M16	10.5		

Note: * This bell housing dimension as per jacktech gear coupling & jacktech standard
 * Bell housing kits with Bore key ways coupling & all mounting bolt also available
 * As per your required pump mounting detail bell housing also available.



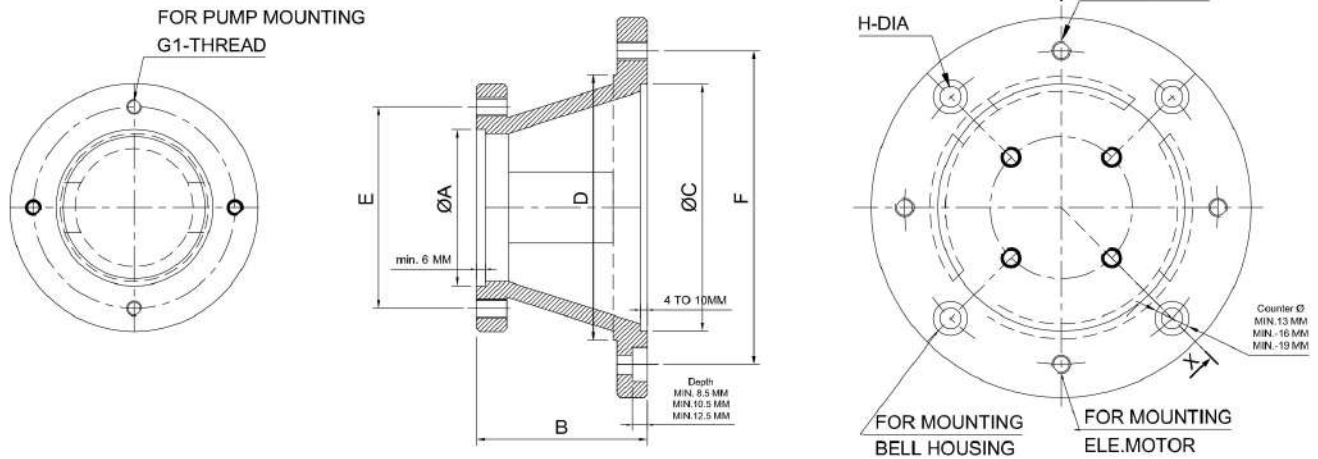
BELL HOUSING (Casting)

Product Characteristics

- By using bell housings motor and pump shaft are aligned to each other optimally
- Horizontal assembly possible with foot cum flange motor
- Bell housing material high graded cast iron
- Jacktech bell housing are precisely machined to reduce misalignment of couple shafts.
- Casting bell housing also reduces the noise generation considerably
- Casting bell housing size available as per factory stock



Section



Dimensional Details

FRAME SIZE	MOTOR H.P.	CODE / ØA	LENGTH -B	C	D	E	F	G1	G2	H +0.5
200L	40	2P,PVR-50	210	300	300	145.9	350	M12	M16	10.5
		3P,PVR-150	210	300	300	180.8	350	M16	M16	10.5
		100 MM	210	300	300	140	350	M12	M16	10.5
		125 MM	210	300	300	180.8	350	M16	M16	10.5
		Special	210	300	300	**	350	**	M16	10.5
225S , 225M	50 , 60	2P,PVR-50	250	350	300	145.9	400	M12	M16-8 no.	12.5 - 8 no.
		3P,PVR-150	250	350	300	180.8	400	M16	M16-8 no.	12.5 - 8 no.
		100 MM	250	350	300	140	400	M12	M16-8 no.	12.5 - 8 no.
		125 MM	250	350	300	180.8	400	M16	M16-8 no.	12.5 - 8 no.
		Special	250	350	300	**	400	**	M16-8 no.	12.5 - 8 no.
250MX 280S , 280M	75 100 , 120	2P,PVR-50	255 , 255+25	450	400	145.9	500	M12	M16-8 no.	12.5 - 8 no.
		3P,PVR-150	255 , 255+25	450	400	180.8	500	M16	M16-8 no.	12.5 - 8 no.
		100 MM	255 , 255+25	450	400	140	500	M12	M16-8 no.	12.5 - 8 no.
		125 MM	255 , 255+25	450	400	180.8	500	M16	M16-8 no.	12.5 - 8 no.
		Special	255 , 255+25	450	400	**	500	**	M16-8 no.	12.5 - 8 no.
315S , 315M 315 LX	150 , 170 , 180 215 , 240 , 270	2P,PVR-50	330	550	450	145.9	600	M12	Ø22-8 no.	***
		3P,PVR-150	330	550	450	180.8	600	M16	Ø22-8 no.	***
		100 MM	330	550	450	140	600	M12	Ø22-8 no.	***
		125 MM	330	550	450	180.8	600	M16	Ø22-8 no.	***
		200 MM	330	550	450	250	600	M20-8 no.	Ø22-8 no.	***
		Special	330	550	450	**	600	**	Ø22-8 no.	***

Note: * This bell housing dimension as per jacktech gear coupling & jacktech standard
 * Bell housing kits with Bore key ways coupling & all mounting bolt also available
 * As per your required pump mounting detail bell housing also available.

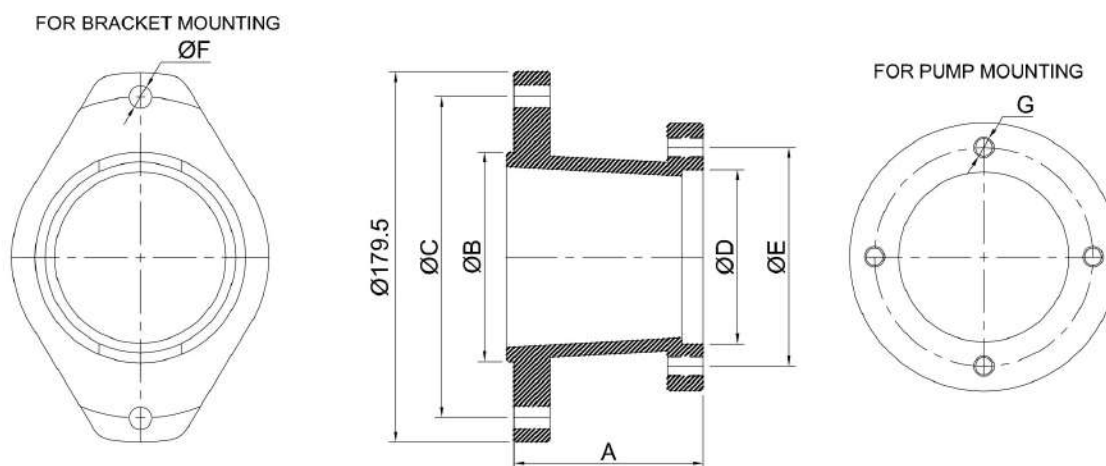


Product Characteristics

- By using bell housings (Extension Bracket) pump and pump shaft are aligned to each other optimally.
- Horizontal assembly possible.
- Bell housing (Extension Bracket) material high graded cast iron.
- Jacktech bell housing (Extension Bracket) are precisely machined to reduce misalignment of couple shafts.
- Casting bell housing (Extension Bracket) also reduces the noise generation considerably
- Casting bell housing (Extension Bracket) size available as per factory stock.



Section



Dimensional Details & Ordering information

ORDER CODE	MODEL	A	ØB	ØC	ØD	ØE	ØF	G
BHCK*-60-60-65	1R - 1R	65	60	80	60	80	9	9
BHCK*-101.6-60-105	1RE - 1R	105	101.6	156	60	80	11	9
BHCK*-113.8-70-127	12RE-11/12R	127	113.8	140	70	92	11- 4 Nos	11
BHCK*-101.6-82.6-87	1RE - 0P/1P	87	101.6	156	82.6	106.2	11	M10
BHCK*-101.6-82.6-92	1RE - 1T	92	101.6	156	82.6	106.2	11	M10
BHCK*-101.6-82.6-120	1RE - 0P/1P/1T	120	101.6	156	82.6	106.2	11	M10
BHCK*-101.6-101.6-90	1RE - 2P	90	101.6	156	101.6	145.9	11	M12
BHCK*-101.6-101.6-100	1RE - PVR-50	100	101.6	156	101.6	145.9	11	M12
BHCK*-101.6-101.6-120	1RE-2P/PVR-50	120	101.6	156	101.6	145.9	11	M12
BHCK*-113.8-101.6-130.5	11RE-2P/PVR-50	130.5	113.8	156	101.6	145.9	18	M12
BHCK*-101.6-127-130	1RE-3P/PVR-150	130	101.6	156	127	180.8	11	M16
BHCK*-113.8-127-130	11RE-3P/PVR-150	130	113.8	156	127	180.8	18	M16
BHCK*-113.8-127-130	12RE-3P/PVR-150	130	113.8	140	127	180.8	11- 4 Nos	M16

Note: * This bell housing (Extension Bracket) dimension as per jacktech gear coupling & jacktech standard.
 * Bell housing (Extension Bracket) kits with Bore key ways coupling & all mounting bolt also available.
 * As per your required pump mounting detail bell housing (Extension Bracket) also available.
 * Bell housing (Extension Bracket) order code with gear coupling & bolt code (BHCK)
 W/O gear coupling & bolt code (BHC)

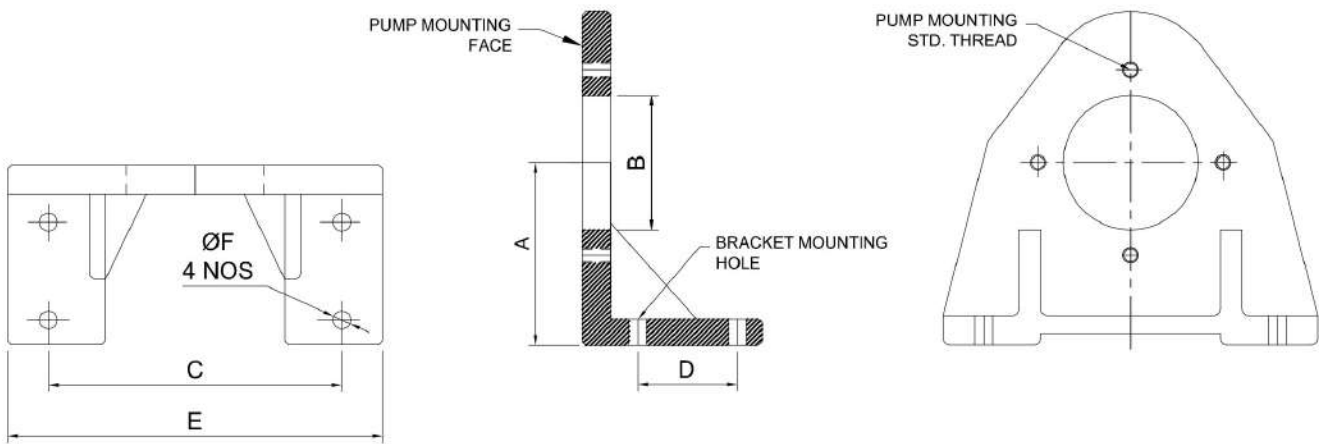


Product Characteristics

- By using bell housings (L Bracket) motor and pump shaft are aligned to each other optimally.
- Horizontal assembly possible with foot cum flange motor.
- Bell housing (L Bracket) material high greaded cast iron.
- Jacktech bell housing (L Bracket) are precisely machined to reduce misalignment of couple shafts.
- Casting bell housing (L Bracket) also reduces the noise generation considerably.
- Casting bell housing (L Bracket) size available as per factory stock.



Section



Dimensional Details

FRAME SIZE	MOTOR H.P.	A	B				C	D	E	F
71	0.5	71	60	82.6			150	50	182	11
80	0.75, 1	80	60	82.6			150	50	182	11
90S, 90L	1.5, 2	90	60	82.6			150	50	182	11
100L	3	100	60	82.6	101.6	127	190	60	228	11
112M	5	112	60	82.6	101.6	127	190	60	228	11
132S, 132M	7.5, 10	132	60	82.6	101.6	127	230	60	272	13
160M, 160L	12.5, 15, 20	160	60	82.6	101.6	127	270	80	322	13
180M, 180L	25, 30	180	60	82.6	101.6	127	270	80	322	13

Note: * Bell housing (L Bracket) kits with Bore key ways coupling & all mounting bolt also available

* As per your required pump mounting detail bell housing (L Bracket) also available.



Product Ordering code

BH A K - 180 - 82.6 - 110

Bell Housing

Bell Housing Length

Ref. Jacktech Catalogue pg.1 to 6

Casting	C
Aluminium	A
'L' Bracket	L

Pump side Spigot Diameter

Ref. Under Details - Y

Gear Coupling + Bolt Kits	K
Lovejoy Coupling + Bolt Kits	
Ommit only Bell housing	

Ele. Motor side Spigot Diameter

Ref. Under Details - X

Electrical Motor Spigot Diameter - X	
H.P.	Spigot Diameter
0.25 HP	95
0.5 HP	110
0.75 & 1 HP	130
1.5 & 2 HP	130
3 & 5 HP	180
7.5 & 10 HP	230
12.5,15,20,25 & 30 HP	250
40 HP	300
50 & 60 HP	350
75, 80, 100 & 120 HP	450
150 , 170 & 180 HP	550
215 , 240 & 270 HP	550
Piston Pump Ext.-1R	101.6
Piston Pump Ext.-11R	113.8

Pump Spigot Diameter - Y	
Pump	Spigot Diameter
1R & 2R	60
11R & 12R	70
RV20SF & 1PF2G2... PV7-1X/06-,	80
0P,1P, SVPF 12/20 & 1T HA-16,22	82.6
SVPF- 30 / 40	95
Variable Piston PUMP HA 10VSO-28,45 / PV7/20	100
2P, SVP2 & PVR-50 HA-37,45,56,64 & VT6BB/CC	101.6
Variable Piston PUMP HA 10VSO-71,100	125
3P, SVP3 & PVR- 150 HA-70,80	127
Variable Piston PUMP HA-90,100,120,145,160	152.4
GR- 25 to 40	155
Dynatech - PV-140-180 TWWS-130-180	160
Variable Piston PUMP HA 10VSO-140	180
PFWS-250	200
GR- 45 to 70	220

Note: * As per your required pump mounting detail bell housing also available.