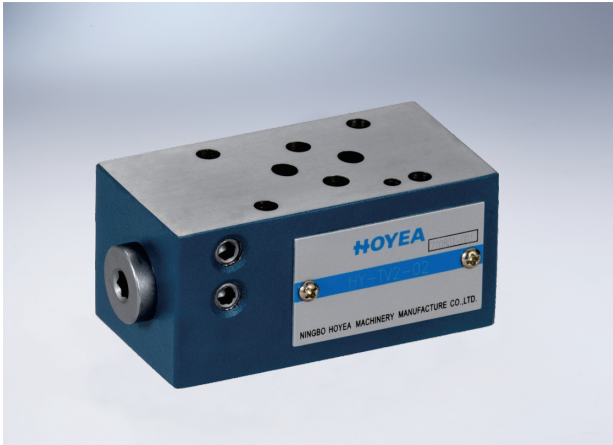


# Modular Pressure-compensated Valve



It's mounted between proportional valve and pump, to keep the flow unchanged.

## Technical parameter ( please consult factory if your application is out of below range )

Model		HYTV2-02
Mounting		Free, recommended for horizontal installing
Working temperature	(°C)	-20~+70
Weight	(kg)	1.0

## Hydraulic parameter

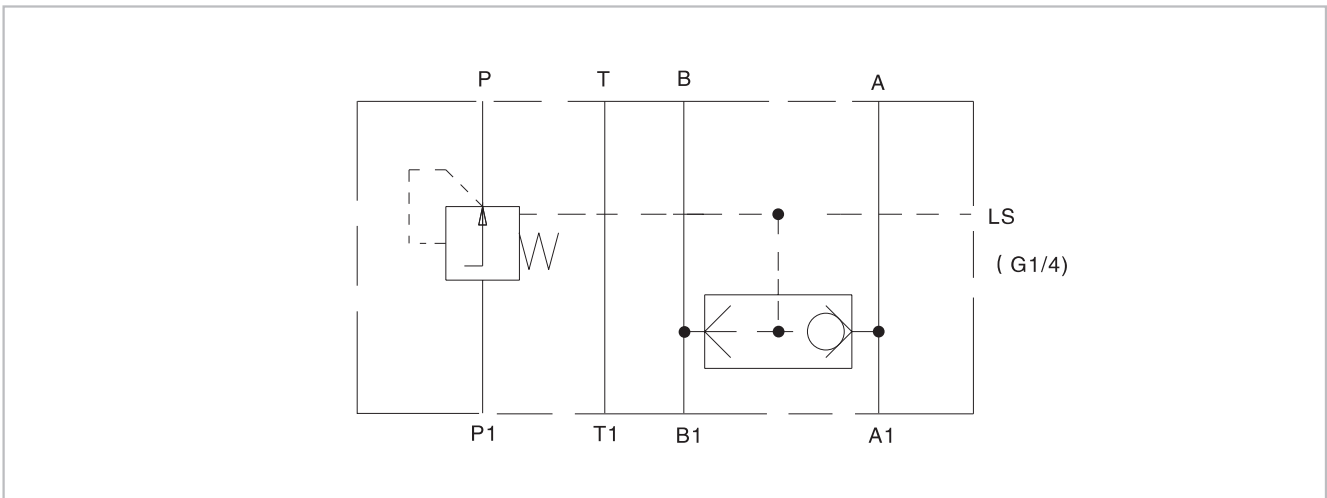
Max working pressure	( Mpa )	31.5
Max flow rate	( L/min )	35
Control pressure differential	( Mpa )	1
Working fluid		Mineral hydraulic oil, phosphate
Fluid temp range	(°C)	-20~+75
Viscosity range	( mm <sup>2</sup> /s )	20~380
Minimum fluid cleanliness		Maximum permissible degree of pressure fluid contamination to NAS 1638 to class 9 Recommended filter $\beta_{10} \geq 75$ .

# Modular Pressure-compensated Valve

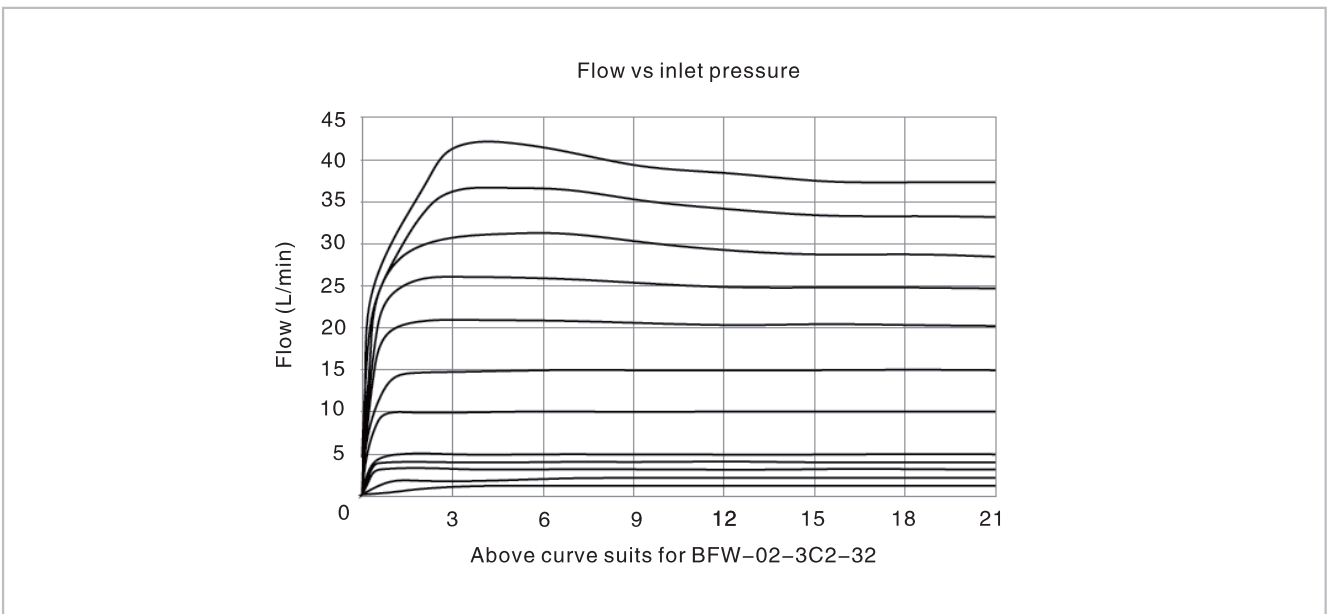
## Ordering code

	HYTV2 - 02 - * - *			
Modular pressure-compensated valve				remark
02 6 NG				Sealing Omit NBR seal V FPM seal

## Hydraulic symbol



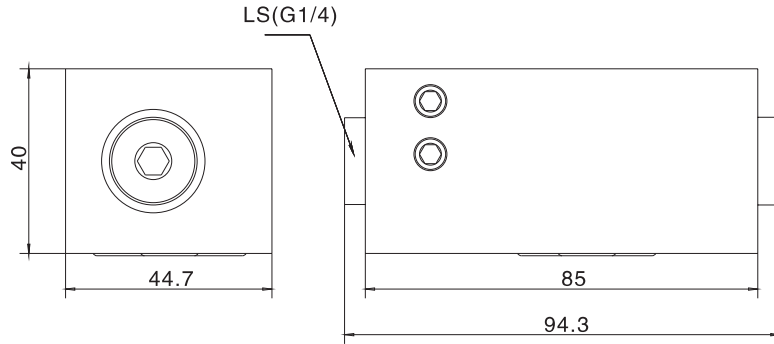
## Performance curve



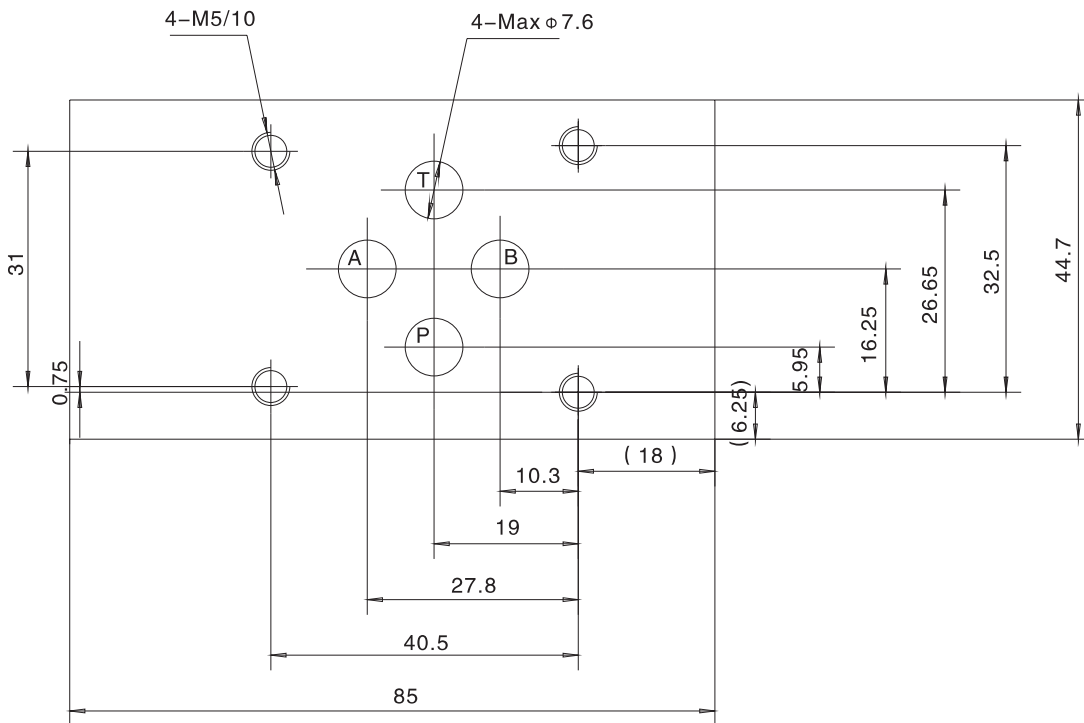
F.8.2

# Modular Pressure-compensated Valve

## External dimension



## Sub-plate mounting



**Note:**

1. It can be mounted in any direction, but horizontal installation is recommended.
2. The mounting surface must be flat within 0.01/100mm and roughness Ra 0.8