

## Modular Relief Valve

### Technical specification



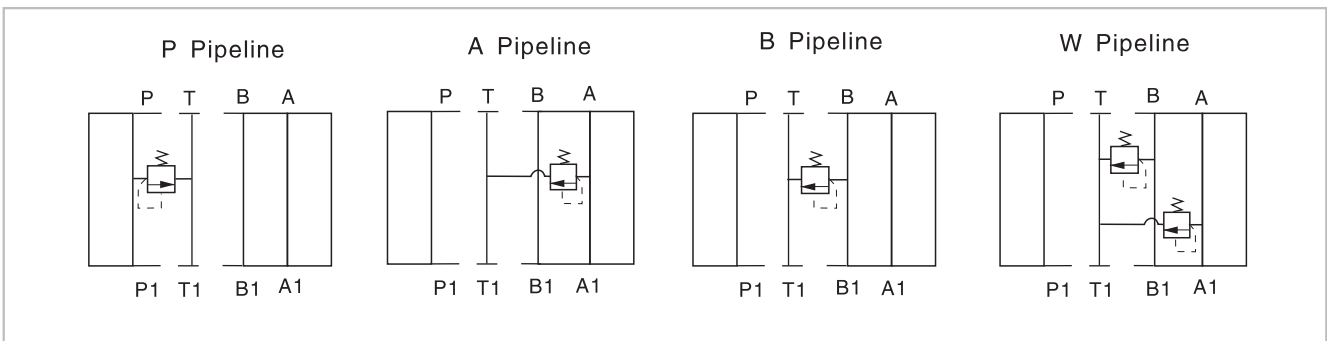
Specification	02	03	
Max. working pressure (MPa)	31.5		
Max. Flow (L/min)	35	70	
Working fluid	Mineral oil; phosphate-ester		
Fluid temp. (°C)	-20~70		
Viscosity (mm <sup>2</sup> /s)	12~380		
Working press (MPa)	7	14	21 31.5
Cleanliness	The maximum allowable cleanliness of the oil should be according to 9th degree of Standard NAS1638. It is suggested that the minimum filter rating should be $\beta_{10} \geq 75$ .		

### Model description

DY - \* \* - \* - \* / \* 7X \*

<p>Modular relief valve</p> <p>Specification 02 DN 6 03 DN 10</p> <p>P P Pipeline relief A A Pipeline relief B B Pipeline relief W A B Pipeline relief</p> <p>Working pressure 5 to 5MPa 10 to 10MPa 20 to 20MPa 31.5 to 31.5MPa</p>	<p>Remarks</p> <p>Serial number</p> <p>Seal material Omit NBR Seals V FPM Seals</p> <p>8 Handle</p>
--	---

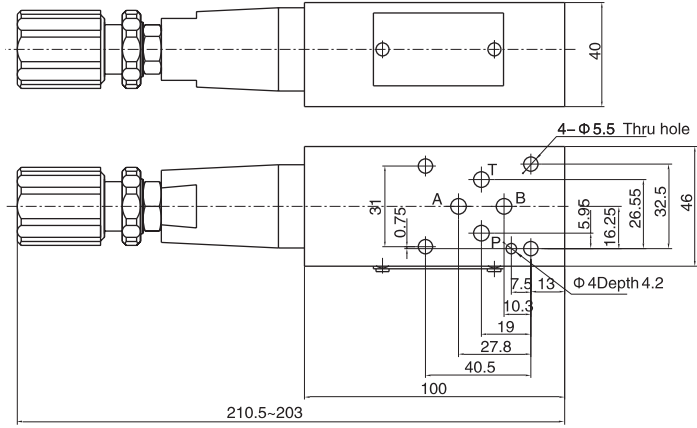
### Code symbol



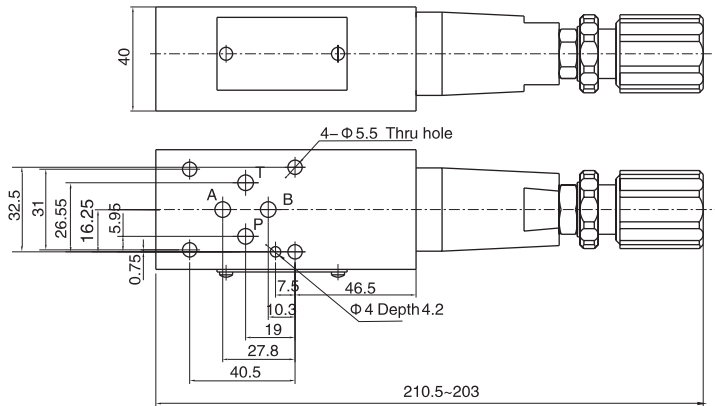
# Modular Relief Valve

## 02 External dimensions

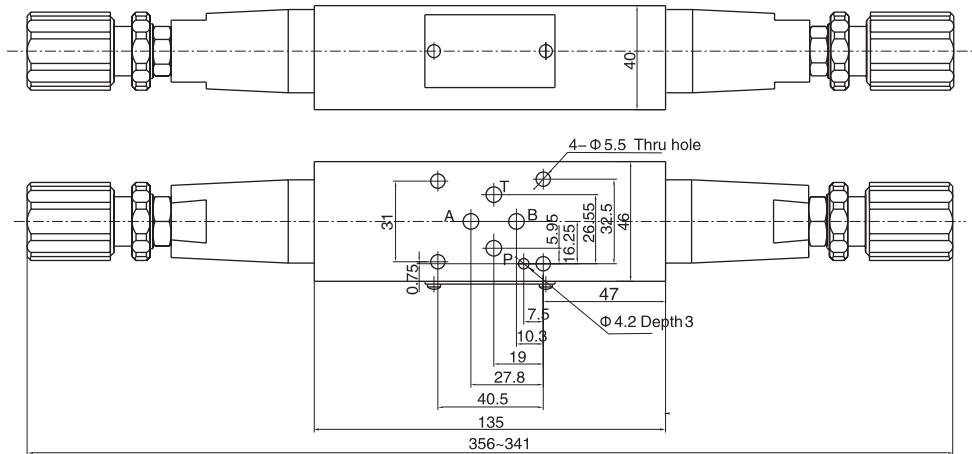
DY-02-A



DY-02-B,P



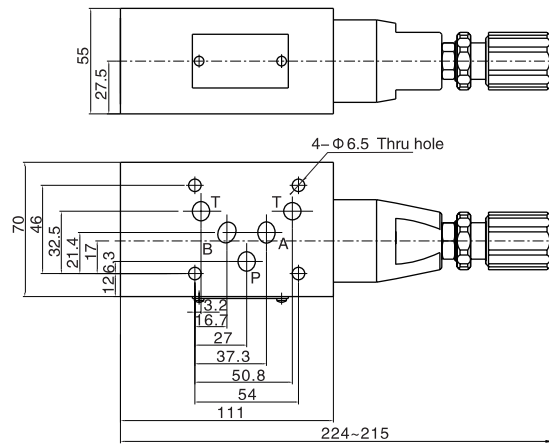
DY-02-W



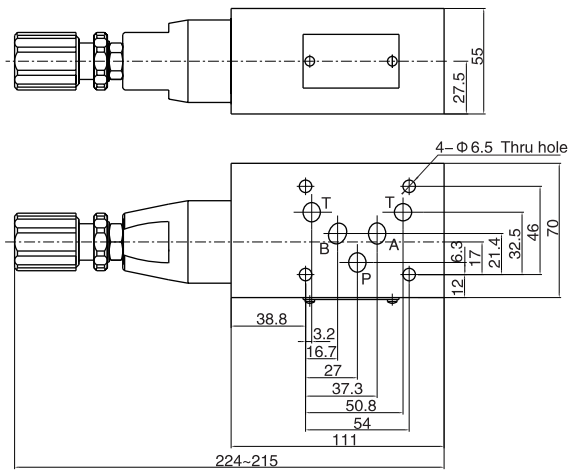
## Modular Relief Valve

### 03 External dimensions

DY-03-A ...



DY-03-B,P ...



DY-03-W ...

