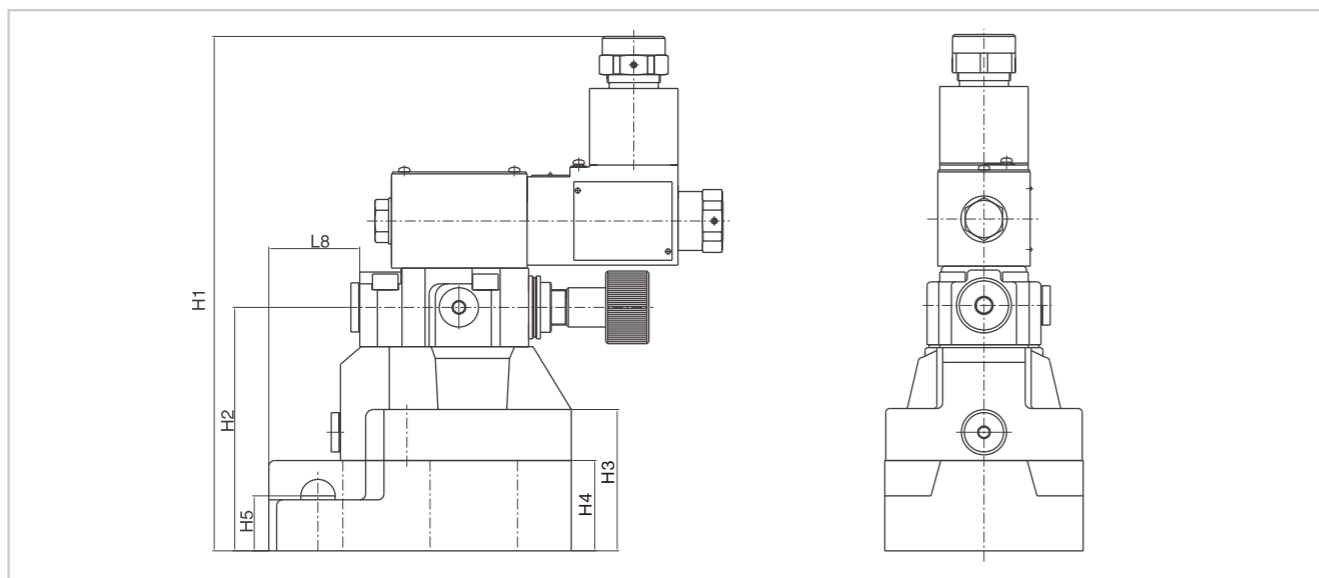
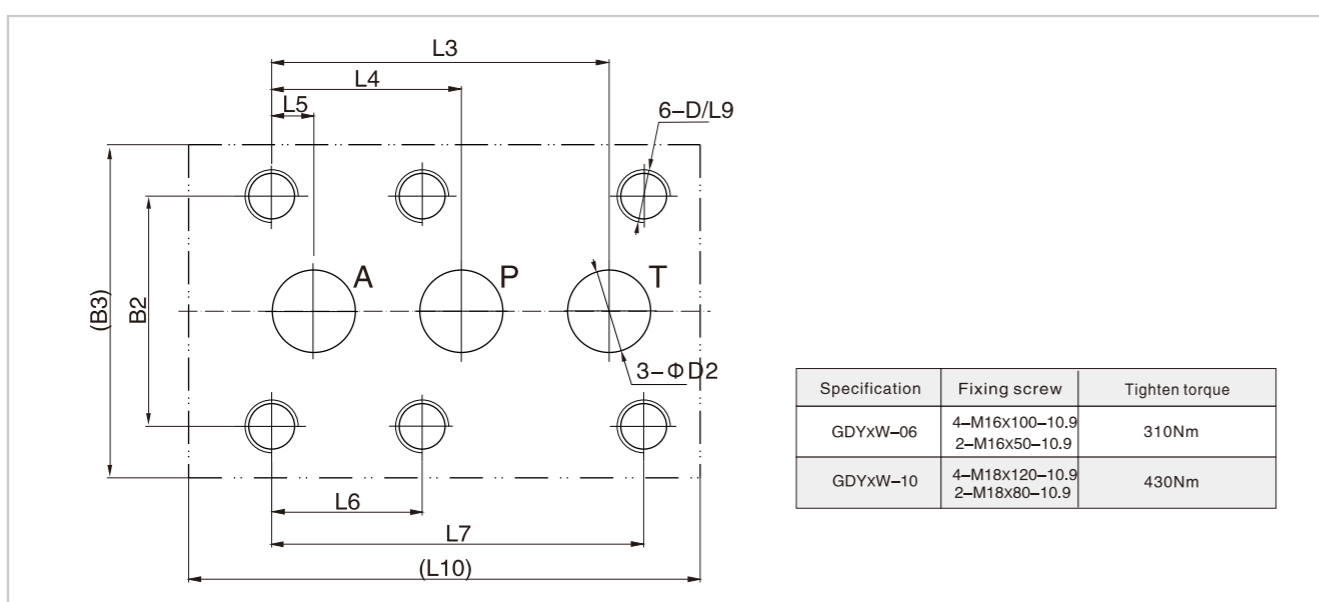


Explosion Isolation Solenoid Unloading Valve

06/10 External dimensions



06/10 Subplate size



Specification	L1	L2	L3	L4	L5	L6	L7	L8	L9	L10	L11
GDYXW-06	154	25	101.6	57.1	12.7	46	112.7	48.2	34	156	253.4
GDYXW-10	199	42	127	63.5	12.7	50.8	139.7	69.8	37	201	275

Specification	B1	B2	B3	H1	H2	H3	H4	H5	D	D1	D2
GDYXW-06	101	69.9	103	144	124	72	46	28	M16	18	25
GDYXW-10	118.5	82.5	118.5	165	145	93	67	45	M18	20	32

- When installing the product, consider horizontal position firstly.
- The medium used in the hydraulic system must be filtered. its accuracy at least should be 20 μm.
- Screw should be according to the parameters of catalogue.
- The surface, connecting with the valve, should be Ra0.8 roughness, and 0.01/100mm flatness.

Explosion Isolation Proportional Directional Control Valve

Technical specification



Specification		02	03
Max. working pressure (MPa)	Oil port P, A, B	31.5	
	Oil port T	10	
Working fluid		Mineral oil; phosphate-ester	
Fluid temp. (°C)		-20~70	
Viscosity (mm ² /s)		2.8~380	
Hysteresis (%)		≤ 5	≤ 6
Repeatability (%)		< 2	
Working voltage (V)		DC24	
Rated current (mA)		750	1500
Coil resistance (Ω)		19.5	10
Insulation grade		IP55	
Cleanliness	The maximum allowable cleanliness of the oil should be according to 9th degree of Standard NAS1638. It is suggested that the minimum filter rating should be β ₁₀ ≥ 75.		

Model instruction

GDBFW - * - * - * - * * * / * - 52 *

Specification	02	03
07 7L/min	30	30L/min
15 15L/min	60	60L/min
30 30L/min		

Please refer to specific flow curve in the proportional valve catalogue.

Working voltage
D24 DC24V

Remarks

Serial number

Seal material
Omit NBR Seals
V FPM Seals

Omit without emergency push rod
N9 With emergency push rod

Ex d I Mb
Ex d II C T6 Gb
E Ex d III C T80°C Db IP65

Code symbol

3C2
3C2 (1)

3C40
3C40 (1)

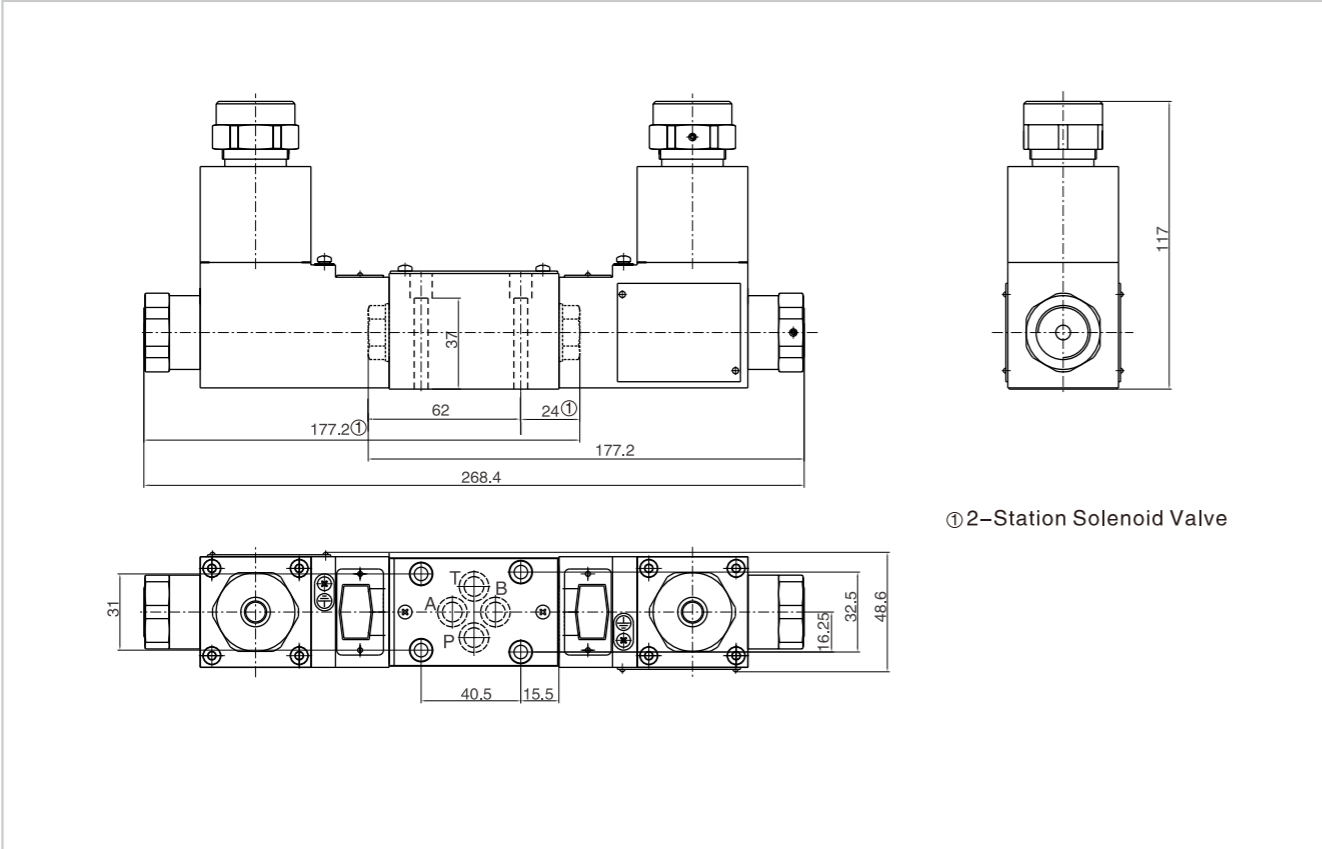
2B2B

2B40B

For functional symbol 3C2(1) and 3C40(1)
 P → A: Q_{vmax} B → T: Q_{vmax}/2 P → B: Q_{vmax}/2 A → T: Q_{vmax}
 Spool type 3C40 and 2B40B when in central position, there is a flowing area from port A to the T and B to T approx. 3% of the rated value.

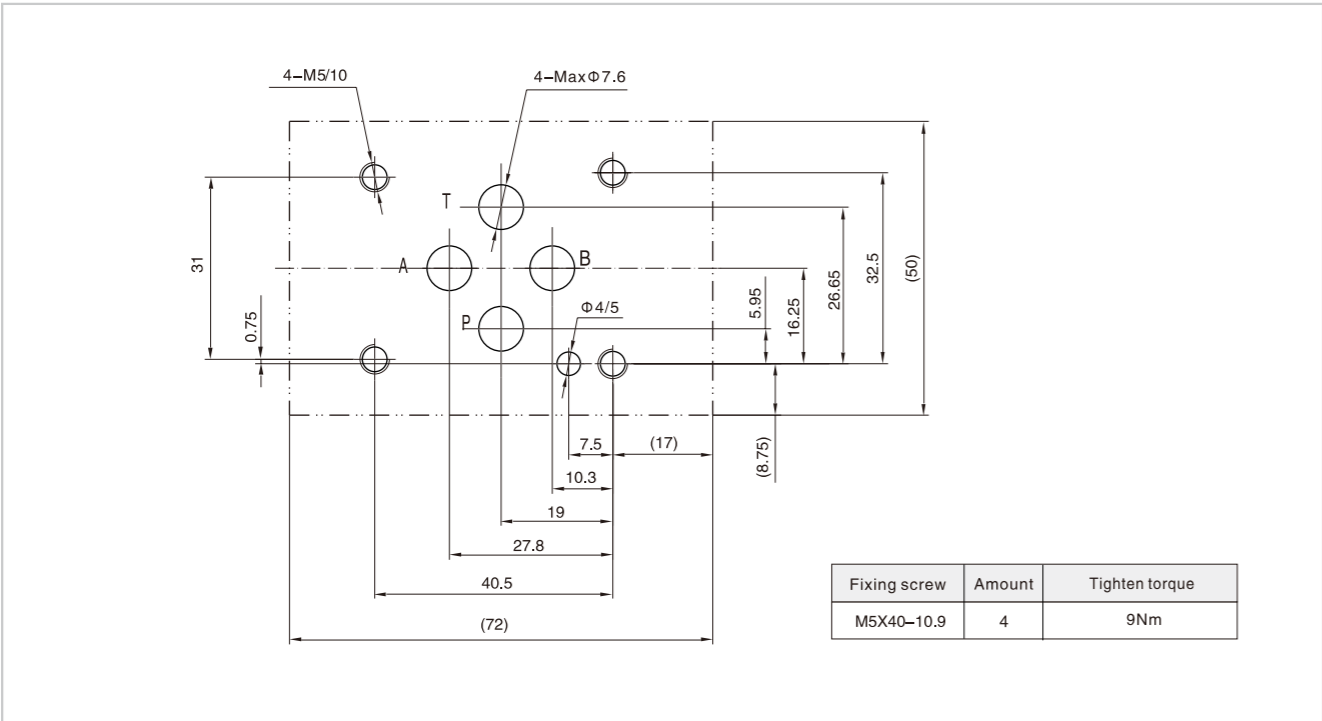
Explosion Isolation Proportional Directional Control Valve

02 External dimensions



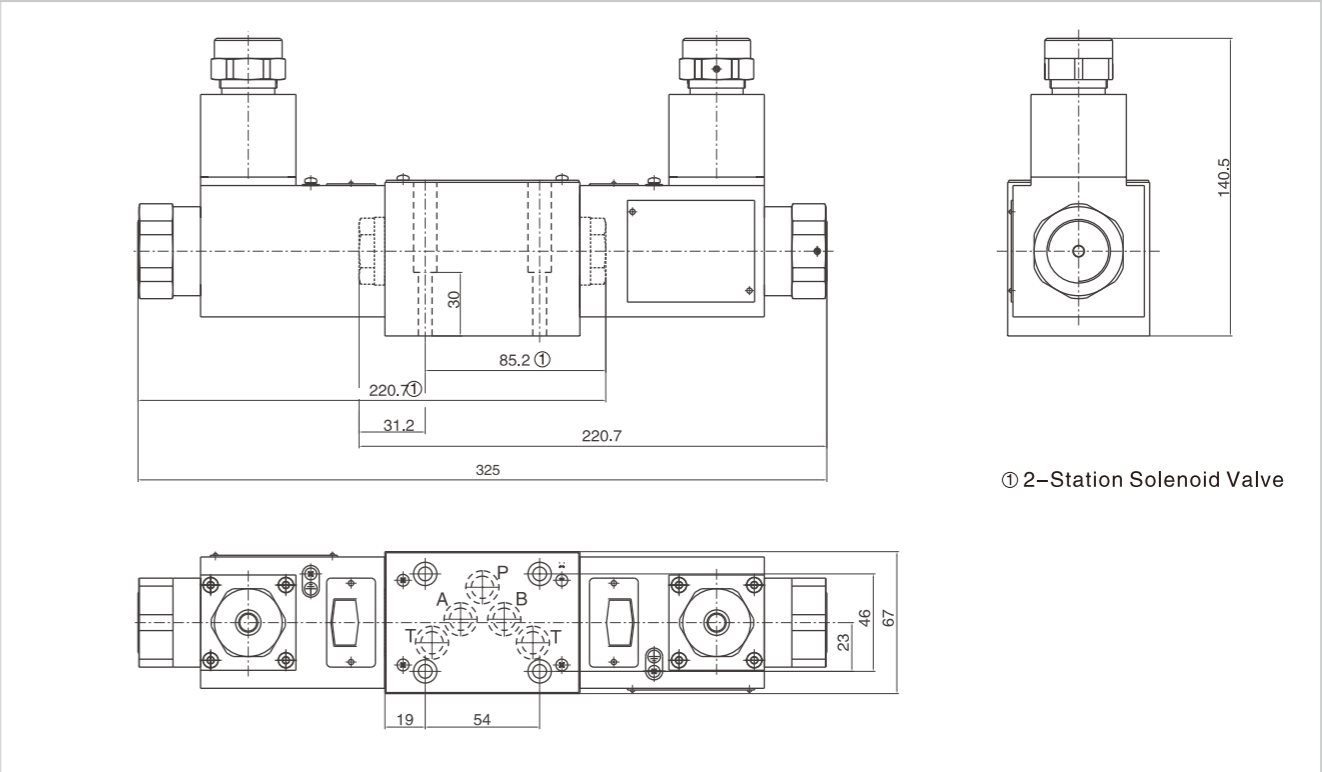
K.7.2

02 Subplate size



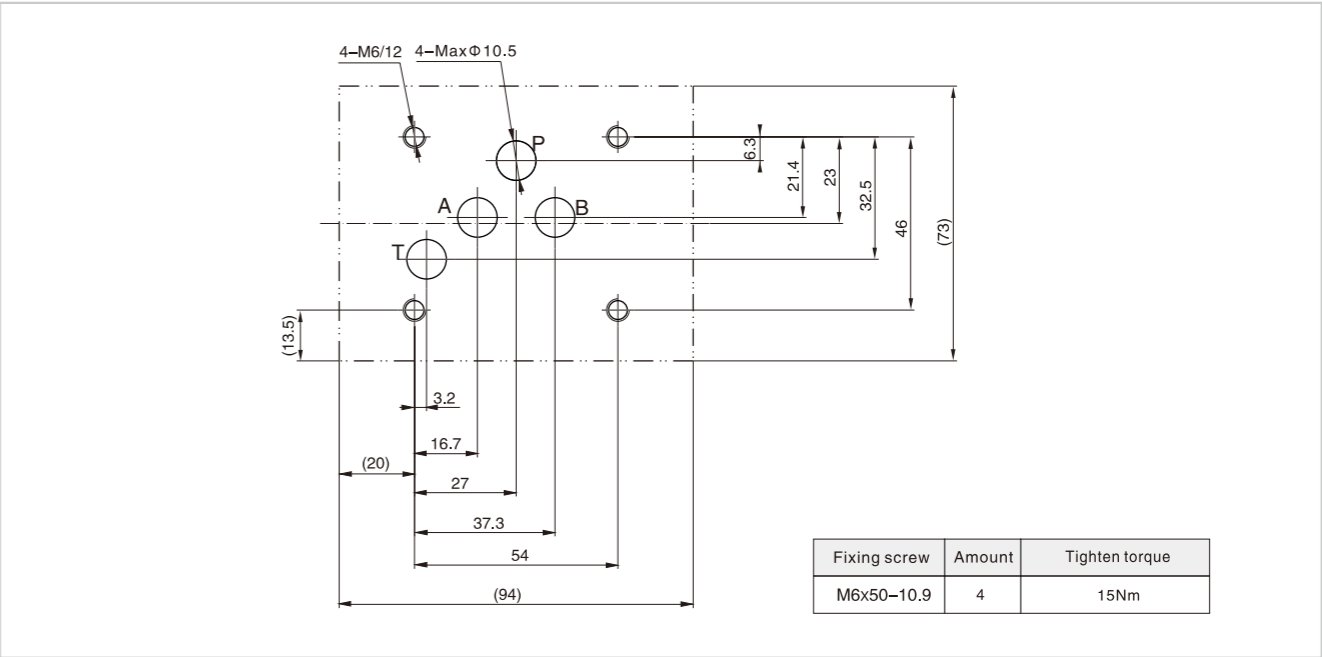
Explosion Isolation Proportional Directional Control Valve

03 External dimensions



K.7.3

03 Subplate size



1. When installing the product, consider horizontal position firstly.
2. The medium used in the hydraulic system must be filtered, its accuracy at least should be 20 μm.
3. Screw should be according to the parameters of catalogue.
4. The surface, connecting with the valve, should be Ra0.8 roughness, and 0.01/100mm flatness.