

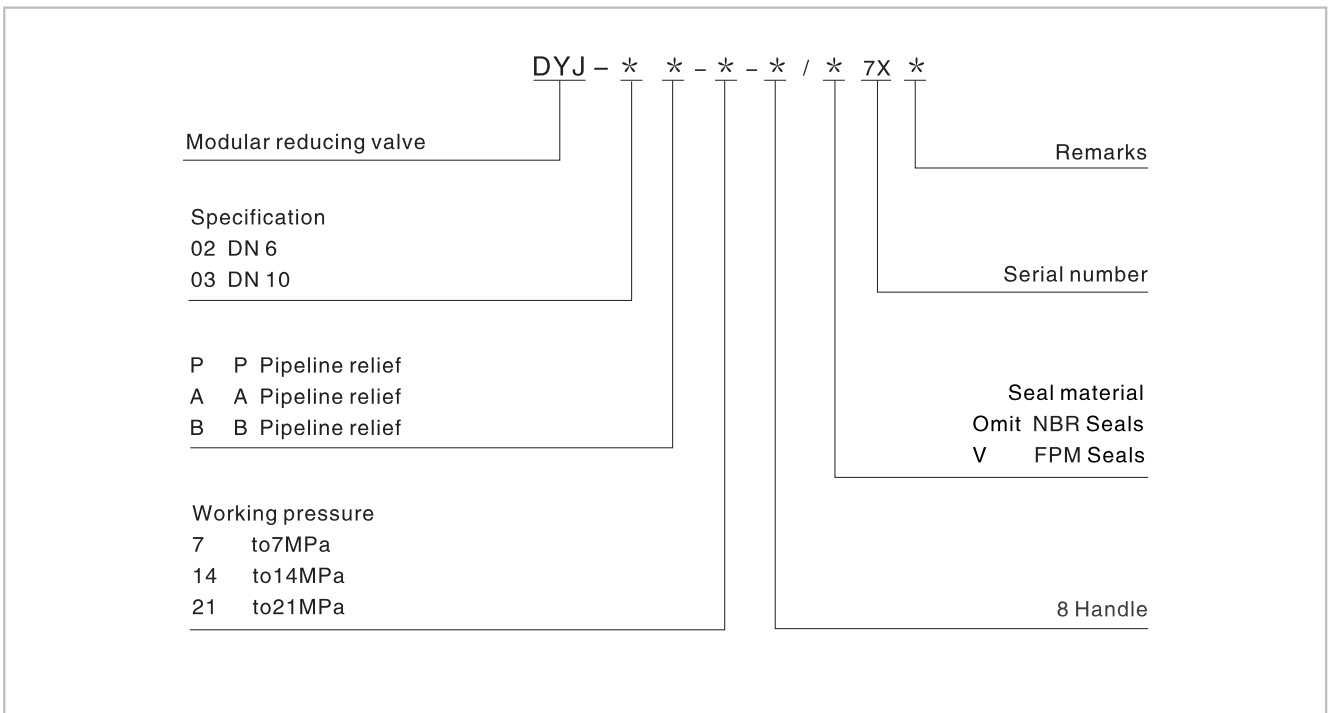
Modular Reducing Valve

Technical specification

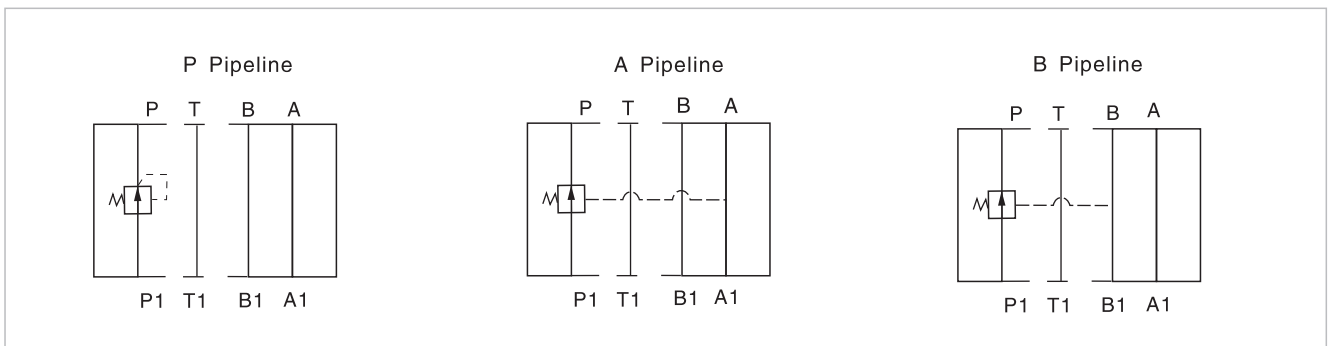


| Specification | 02 | 03 |
|--------------------------------|---|-------|
| Max. working pressure (MPa) | 31.5 | |
| Max. Flow (L/min) | 35 | 70 |
| Working fluid | Mineral oil; phosphate-ester | |
| Fluid temp. (°C) | -20~70 | |
| Viscosity (mm ² /s) | 12~380 | |
| Working press (MPa) | 7 | 14 21 |
| Cleanliness | The maximum allowable cleanliness of the oil should be according to 9th degree of Standard NAS1638. It is suggested that the minimum filter rating should be $\beta_{10} \geq 75$. | |

Model description



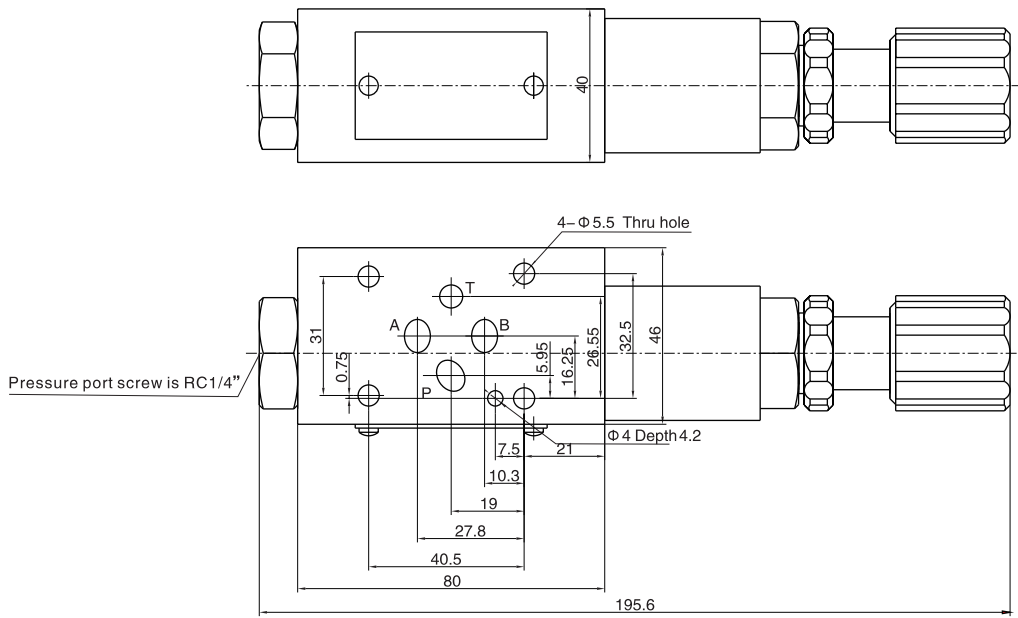
Code symbol



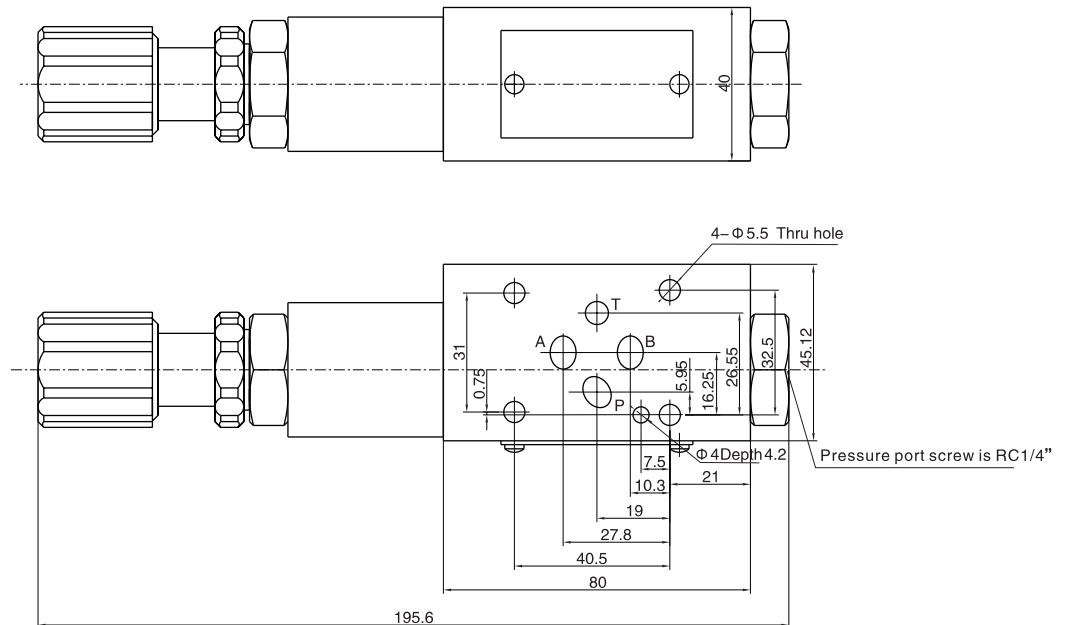
Modular Reducing Valve

02 External dimensions

DYJ-02-A, P ...



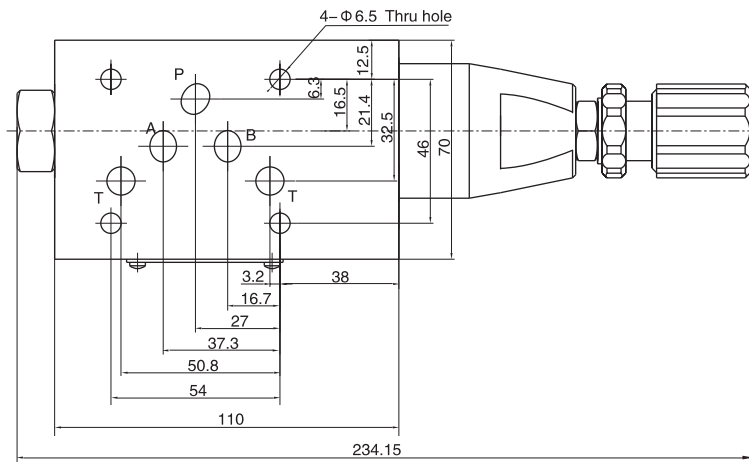
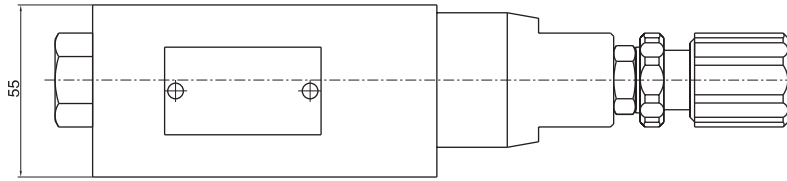
DYJ-02-B ...



Modular Reducing Valve

03 External dimensions

DYJ-03-A , P ...



DYJ-03-B

