

Hydraulic-operated Directional Control Valve

Parameter



Model	02	
Working pressure (MPa)	Oil port P, A, B	31.5
	Oil port T	16
Max flow rate (L/min)	60	
Working fluid	Mineral oil; Phosphate oil	
Fluid temp (°C)	-20~70	
Cleanliness	NAS1638 Class 9, recommended filtration precision Min $\beta_{10} \geq 75_0$.	

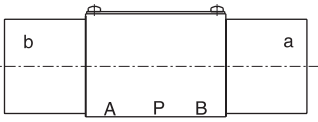
(Please consult us if your application is over above data)

The spool inside the valve FH-02 is driven by hydraulic control oil, so that to change the fluid direction.

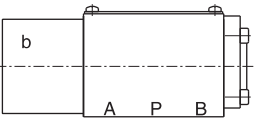
Ordering code

FH - * - * - * / * * * 5X *		Remark
Hydraulic-operated directional control valve		
specification 02 DN6		Series number
Spool type		omit NBR V FPM
Port size G1/8 BSP1/8		
Return type omit spring return H hydraulic centred OF detend		omit without damping 08 $\Phi 0.8$ 10 $\Phi 1.0$ 12 $\Phi 1.2$

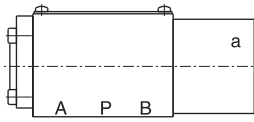
The name of control oil port



1. when control oil flows into end a, P→A B→T



2. When control oil flows into end b



3. The fluid flow direction 3C5 3C6 is opposite against above mentioned.

Hydraulic-operated Directional Control Valve

Spool type

Spring-return

3C2		2B2B		2B2BL		2B2	
3C3		2B3B		2B3BL		2B3	
3C4		2B4B		2B4BL		2B8	
3C5		2B5B		2B5BL		2B2L	
3C6		2B6B		2B6BL		2B3L	
3C7		2B7B		2B7BL		2B8L	
3C9		2B9B		2B9BL			
3C10		2B10B		2B10BL			
3C11		2B11B		2B11BL			
3C12		2B12B		2B12BL			
3C25		2B25B		2B25BL			
3C29		2B29B		2B29BL			

With detent

b		2D2
b		2D3
b		2D8

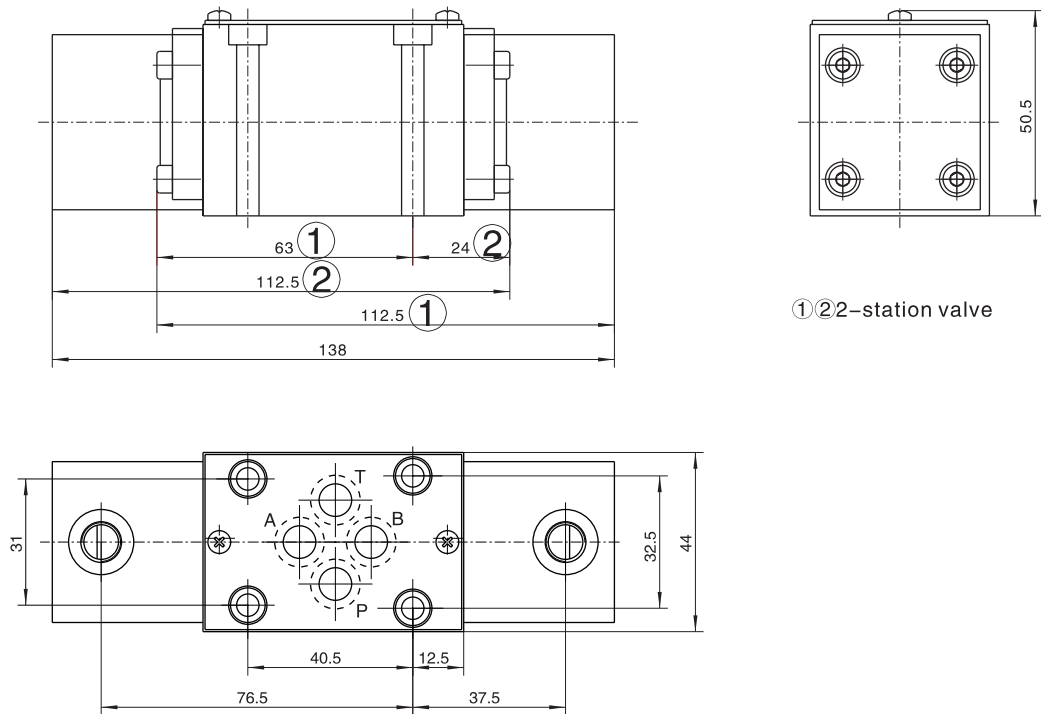
Without spring-return
without detent

b		2N2
b		2N3
b		2N8

Note: *D* (without spring-return without detent), the valve shall be mounted in horizontal direction.

Hydraulic-operated Directional Control Valve

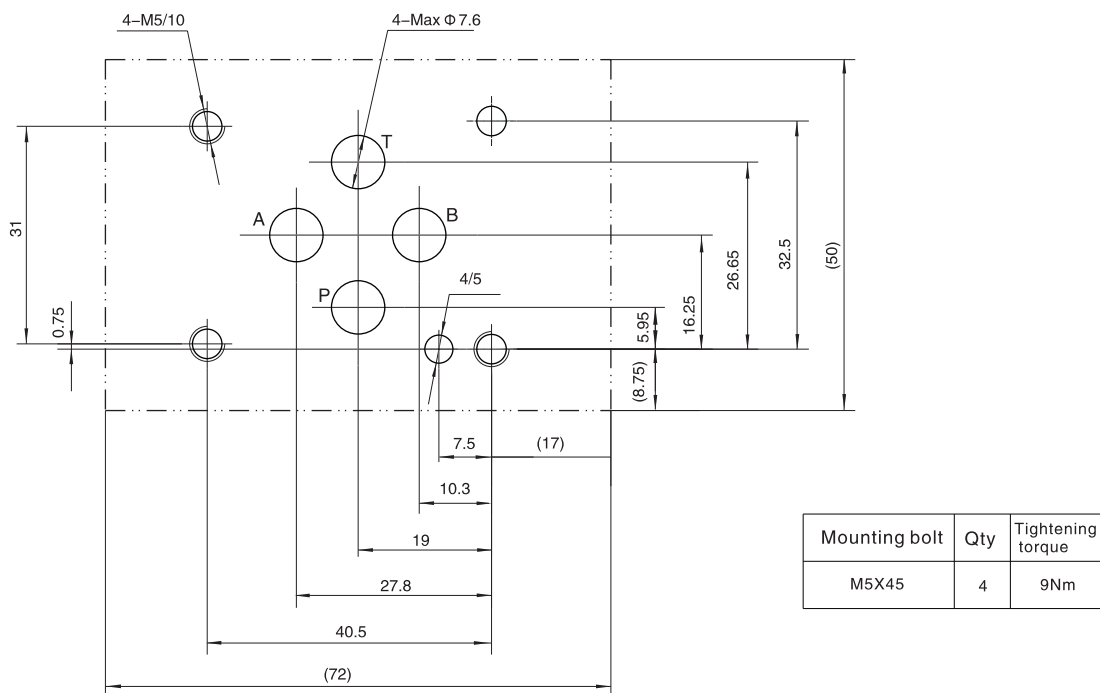
Dimension



① ②2-station valve

D.8.3

Subplate size



Note: The surface, connecting with the valve, should be Ra0.8 roughness, and 0.01/100mm flatness.